



Owner's manual

Original instruction

WR206E

WR208E

WR213E

WR216E

LANDROID
UNMANNED
MOWING
VEHICLE

TABLE OF CONTENTS

Welcome

p. 03 Contact information

Safety instruction

p. 04 Important safety instructions

Get familiar with Landroid Vision

p. 09 What's in the box

p. 10 Getting to know Landroid Vision

Getting started

p. 11 How Landroid Vision works

p. 14 Preparation and planning

p. 22 Start the Landroid Vision

p. 24 Machine Setting

p. 27 Connecting Landroid Vision to the internet

p. 28 Using the App

Maintenance

p. 29 Keep it sharp

p. 30 Keep it clean

p. 31 Keep it charged

p. 31 Keep it stored over the Winter

p. 31 Keep it updated

p. 32 Remove the charging tower

Quick reference

p. 33 Operation messages

p. 34 Error messages

p. 36 Trouble shooting

p. 39 Technical data

p. 40 Noise data and accessories

p. 41 Declaration of conformity

Thank you for purchasing a Worx Landroid Robot Mower.

Totally autonomous, fully configurable, agile and efficient, Landroid manicures your grass and gives you the best lawn ever. This manual will help you get set up.

We're here to help:



Support

www.worx-europe.com/support

Landroid Owner's Site

<https://account.worxlandroid.com/login>

PRODUCT SAFETY

GENERAL & ADDITIONAL SAFETY INSTRUCTIONS

⚠ WARNING: Read all safety warnings and all instructions. Failure to follow the warnings and instructions may result in electric shock, fire and/or serious injury.

Carefully read the instructions for the safe operation of the machine.

Save all warnings and instructions for future reference.

- This appliance is not intended for use by persons (including children) with reduced physical, sensory or mental capabilities, or lack of experience and knowledge, unless they have been given supervision or instruction concerning use of the appliance by a person responsible for their safety.

- Children should be supervised to ensure that they do not play with the appliance.

WARNING: For the purposes of recharging the battery, only use the detachable supply unit provided with this appliance.

WARNING: To reduce the risk of injury to persons and damage to the machine, do not remove battery pack before switching off the machine.

IMPORTANT

READ CAREFULLY BEFORE USE

KEEP FOR FUTURE REFERENCE

Safe operation practices

Training

- Read the instructions carefully. Make sure you understand the instructions and be familiar with the controls and the proper use of the appliance.
- Never allow people unfamiliar with these instructions or children to use the appliance. Local regulations can restrict the age of the operator.
- The operator or user is responsible for accidents or hazards occurring to other people or their property.

Preparation

- Ensure the correct installation of the automatic perimeter delineation system as instructed. This machine works without boundary wire or virtual boundary. It can automatically identify the working area and non-working area through the camera. Once the machine is turned on, the camera will automatically turn on and work at the same time. The machine recognizes that the lawn is the working area through the camera, and the non-working area that is not the lawn. When the machine walks to the boundary between lawn and non-lawn, it will automatically turn to return to the working area. Add a magnetic strip to separate it from the neighbor's lawn. The machine returns when it encounters a magnetic strip while mowing. Return along the magnetic strip when returning.
- Periodically inspect the area where the appliance is to be used and remove all stones, sticks, wires, bones, and other foreign objects. Periodically inspect and clean the boundaries between grass and non-grass. Clearing boundaries helps the lawnmower to identify the working area.
- Periodically visually inspect to see that the blades, blade bolts and cutter assembly are not worn or damaged. Replace worn or damaged blades and bolts in sets to preserve balance.
- On multi-spindle appliances, take care as rotating one blade can cause other blades to rotate.
- WARNING!** The lawnmower shall not be operated without the guard in place.

Operation

1. General

- Never operate the appliance with defective guards, or without safety devices, for example deflectors, in place.
- Do not put hands or feet near or under rotating parts. Keep clear of the discharge opening at all times.
- Never pick up or carry an appliance while the motor is running.
- Operate the disabling device from the appliance.
 - Before clearing a blockage;
 - Before checking, cleaning or working on the appliance;
 - After striking a foreign object to inspect the machine for damage;
 - If the machine starts to vibrate abnormally, and to check for damage before restarting.
- It is not permitted to modify the original design of robotic lawnmower. All modifications are made at your own risk.
- Start robotic lawnmower according to the instructions. When the power key is switched on, make sure you keep your hands and feet away from the rotating blades. Never put your hands and feet under the mower.
- Never lift up robotic lawnmower or carry it when the power key is switched on.
- Do not let persons who do not know how robotic lawnmower works and behaves use the mower.
- Do not put anything on top of robotic lawnmower or its charging base.

- j) Do not allow robotic lawnmower to be used with a defective blade disc or body. Neither should it be used with defective blades, screws, nuts or cables.
- k) Always switch off robotic lawnmower when you do not intend to use the mower. Robotic lawnmower can only start when the power key is switched on and the correct PIN code has been entered.
- l) Keep your hands and feet away from the rotating blades. Never place your hands or feet close to or under the body when robotic lawnmower is in operation.
- m) To avoid using the machine and its peripherals in bad weather conditions especially when there is a risk of lightning.
- n) Do not touch moving hazardous parts before these have come to a complete stop.
- o) For machines used in public areas, that warning signs shall be placed around the working area of the machine. They shall show the substance of the following text:
Warning! Automatic lawnmower! Keep away from the machine! Supervise children!
- p) To avoid the risk of injury, please stop the mower and carry out the mower to another lawn to be mowed. Never drag or pull the mower on operation when you change the lawn to be mowed.

2. Additionally when the appliance is operating automatically

- a) Do not leave the machine to operate unattended if you know that there are pets, children or people in the vicinity.

Maintenance and storage

⚠ WARNING! When the mower is turned upside down the power key must always be switched off. The power key should be switched off during all work on the mower's underframe, such as cleaning or replacing the blades.

- a) Keep all nuts, bolts and screws tight to be sure the appliance is in safe working condition.
- b) Inspect the robotic lawnmower each week and replace worn or damaged parts for safety.
- c) Check especially that the blades and blade disc are not damaged. Replace all blades and screws at the same time if necessary so that the rotating parts are balanced.
- d) Ensure that only replacement cutting means of the right type are used.
- e) Ensure that batteries are charged using the correct charger recommended by the manufacturer. Incorrect use may result in electric shock, overheating or leakage of corrosive liquid from the battery.
- f) In the event of leakage of electrolyte flush with water/neutralizing agent, seek medical help if it comes into contact with the eyes etc.
- g) Servicing of the appliance should be according to manufacturers' instructions.
- h) In order to obtain the best performance, please pay attention to the following ambient temperature range, do not charge, use, or store in the case of exceeding the following temperature range:
 - a) Charging temperature range: 4°C~45°C
 - b) Discharge temperature range: -20°C~55°C
 - c) Storage temperature range: -20°C~75°C
- i) Leaking battery fluid can cause skin and eye irritation or chemical burns.
 - a) Avoid contact with skin and eyes.
 - b) If liquid gets in eyes: Do not rub. Flush open eyes with water for at least 15 minutes, and seek medical advice.
 - c) In case of accidental contact, wash the contact area immediately and thoroughly with mild soap and water.
 - d) Use an inert absorbent such as sand on spilled liquid.

Recommendation

To connect the machine and/or its peripherals only to a supply circuit protected by a residual current device (RCD) with a tripping current of not more than 30 mA.

Residual risks

To avoid injuries, wear protective gloves when replacing the blades.

Transport

The original packaging should be used when transporting robotic lawnmower over long distances.

To safely move form or within the working area:

- a) Press the STOP button to stop the mower.
You select the four digit PIN code when you start the mower for the first time.
- b) Always switch off robotic lawnmower if you intend to carry the mower.
- c) Carry the mower by the handle at the front under the mower. Carry the mower with the blade disc away from the body.

RF exposure requirements

To satisfy RF exposure requirements, a separation distance of 200mm or more should be maintained between this device and

persons during device operation.

To ensure compliance, operations at closer than this distance is not recommended. The antenna used for this transmitter must not be co-located in conjunction with any other antenna or transmitter.

This is a class III appliances and it must only be supplied at safety extra low voltage corresponding to the marking on the appliance.

WARNING: For the purposes of recharging the battery, only use the detachable supply unit provided with this appliance.

SAFETY WARNINGS FOR BATTERY PACK

- a) **Do not dismantle, open or shred cells or battery pack.**
- b) **Do not short-circuit a battery pack. Do not store battery packs haphazardly in a box or drawer where they may short-circuit each other or be short-circuited by conductive materials.** When battery pack is not in use, keep it away from other metal objects, like paper clips, coins, keys, nails, screws or other small metal objects, that can make a connection from one terminal to another. Shorting the battery terminals together may cause burns or a fire.
- c) **Do not expose battery pack to heat or fire. Avoid storage in direct sunlight.**
- d) **Do not subject battery pack to mechanical shock.**
- e) **In the event of battery leaking, do not allow the liquid to come into contact with the skin or eyes. If contact has been made, wash the affected area with copious amounts of water and seek medical advice.**
- f) **Keep battery pack clean and dry.**
- g) **Wipe the battery pack terminals with a clean dry cloth if they become dirty.**
- h) **Battery pack needs to be charged before use. Always refer to this instruction and use the correct charging procedure.**
- i) **Do not maintain battery pack on charge when not in use.**
- j) **After extended periods of storage, it may be necessary to charge and discharge the battery pack several times to obtain maximum performance.**
- k) **Recharge only with the charger specified by Worx. Do not use any charger other than that specifically provided for use with the equipment.**
- l) **Do not use any battery pack which is not designed for use with the equipment.**
- m) **Keep battery pack out of the reach of children.**
- n) **Retain the original product literature for future reference.**
- o) **Remove the battery from the equipment when not in use.**
- p) **Dispose of properly.**
- q) **Do not mix cells of different manufacture, capacity, size or type within a device.**
- r) **Keep the battery away from microwaves and high pressure.**
- s) **Warning! Do not use non-rechargeable batteries.**

USER MANUAL REQUIREMENTS FOR WIRELESS PRODUCT

- a) Operation of this device is subject to the following two conditions:
 - (1) This device may not cause harmful interference, and
 - (2) this device must accept any interference received, including interference that may cause undesired operation.
- b) Caution: Changes or modifications to this unit not expressly approved by the party responsible for compliance could void the user's authority to operate the equipment.
- c) NOTE: This equipment generates, uses and can radiate radio frequency energy and, if not installed and used in accordance with the instructions, may cause harmful interference to radio communications. However, there is no guarantee that interference will not occur in a particular installation. If this equipment does cause harmful interference to radio or television reception, which can be determined by turning the equipment off and on, the user is encouraged to try to correct the interference by one or more of the following measures:
 - Reorient or relocate the receiving antenna.
 - Increase the separation between the equipment and receiver.
 - Connect the equipment into an outlet on a circuit different from that to which the receiver is connected.
 - Consult the dealer or an experienced radio/TV technician for help.

BAND APPLICATION CAUTION (FOR WI FI 5G DEVICE)

Legal Information This device may be operated in all member states of the EU. Observe national and local regulations where the device is used.

This device is restricted to indoor use only when operating in 5150 to 5350 MHz frequency range in following countries:

AT	BE	BG	HR	CY	CZ	DK
EE	FI	FR	DE	EL	HU	IE
IT	LV	LT	LU	MT	NL	PL
PT	RO	SK	SI	ES	SE	UK

INFORMATION ON LANDROID VISION



WARNING – robotic lawn mower can be dangerous if incorrectly used. Read through the Operator’s manual carefully and understand the content before using your robotic lawn mower.



WARNING - Keep a safe distance from the machine when operating.



WARNING – Operate the disabling device before working on or lifting the machine.



WARNING - Do not ride on the machine.



Li-Ion battery. This product has been marked with a symbol relating to ‘separate collection’ for all battery packs and battery pack. It will then be recycled or dismantled in order to reduce the impact on the environment. Battery packs can be hazardous for the environment and for human health since they contain hazardous substances.



Do not burn



Batteries may enter water cycle if disposed improperly, which can be hazardous for ecosystem. Do not dispose of waste batteries as unsorted municipal waste.



Prohibit disassembling the machine without authorization



Waste electrical products must not be disposed of with household waste. Please recycle where facilities exist. Check with your local authorities or retailer for recycling advice.



Class III appliance



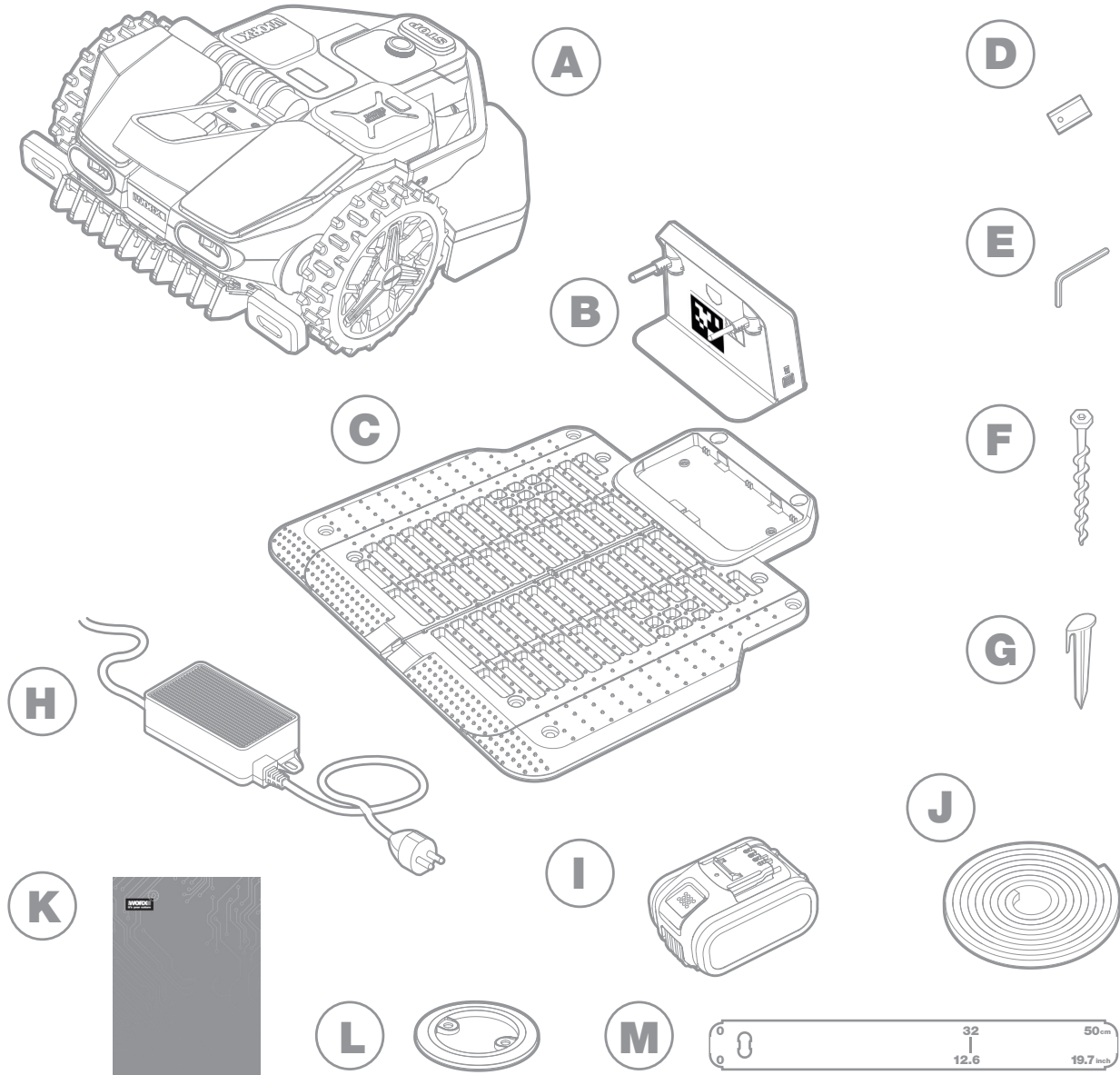
Read operator's manual



Detachable supply unit

Your Landroid Vision can be used with other Worx functional accessories. Visit www.worxlandroid.com to learn more about these available accessory options.

WHAT'S IN THE BOX



- A** Worx Landroid Vision

- B** Charging tower

- C** Charging base plate

- D** Spare blades kits

- E** Hex key

- F** Screws

- G** Magnetic strip pegs

- H** Power supply

- I** 20V battery

- J** Magnetic strip in green*

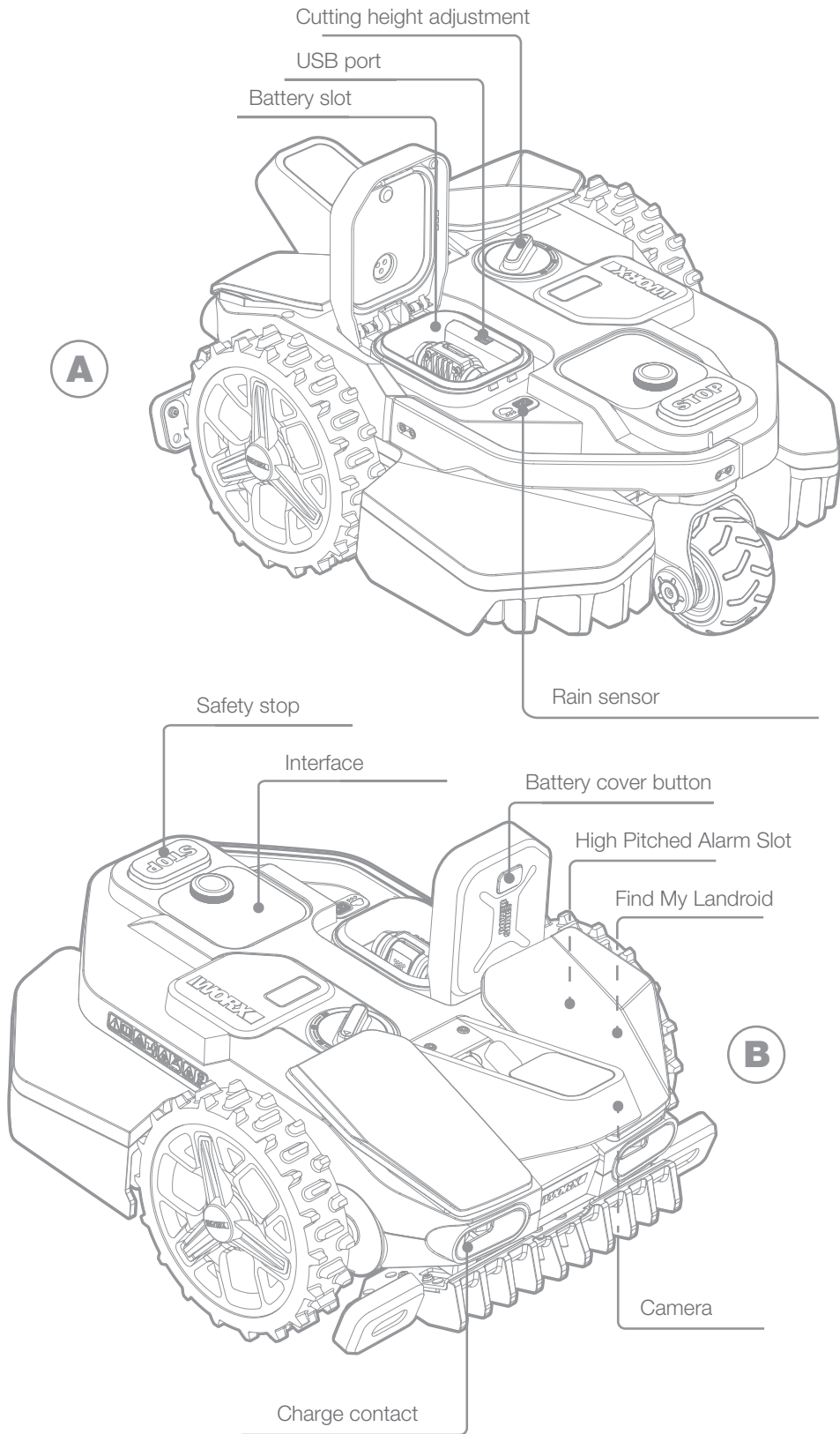
- K** Manuals

- L** RFID

- M** Measurement gauge

* Only for Landroid Vision

GETTING TO KNOW LANDROID VISION



The picture is for reference only

HOW LANDROID VISION WORKS

In the following section, we would like to help you better understand how Landroid Vision works.

Landroid Vision is equipped with an AI (Artificial intelligence) camera sensor, enabling it to automatically work on its own. Landroid Vision can identify areas that are lawn covered or not, it knows when it needs to return to its charging base, can sense when is raining, can stop itself if it senses a problem and turn around when it sees something blocking its path. To prevent an accident, Landroid Vision will also automatically stop its blade disc from rotating if it is lifted off the ground or any other safety issues occur.

Border management



No boundary wire or antenna installation, no maintenance or signal concern. With Landroid Vision deep learning technology it knows where the boundary is, automatically mowing the lawn areas via grass and no-grass identification. To ensure its safety navigation around your lawn area, there are some scenarios that need to be paid special attention to. Please refer to the “preparation and planning” section.

Obstacle avoidance



Landroid Vision is able to detect objects ahead in real time using its AI camera technology, and an ever growing and extensive database of images. Non-grass things, such as tree stump, water pipe and balls will be avoided.

Cut to edge



The special offset blade gets as close as possible to the border of your lawn, leaving you little or no trimming to do. Landroid Vision is programmed to mow the edge twice a week on Monday and Friday. If you want to change this pre-set, you can modify it via your smartphone or by using the control panel in “Work time-Customize Work time” section.

All day cut



With the optional FiatLux, Landroid Vision can work all day even at night and remain friendly to nocturnal animals like hedgehogs. Otherwise the Landroid Vision can only work during the day.

Easy cleaning



Landroid Vision is IPX 5 waterproofed and can be washed by using a regular garden hose.

Self-leveling cutting deck



Landroid Vision's 'Ground Tracer' automatically adjusts the blade's height to mirror small undulations on the lawn surface.

Charge itself



When your Landroid Vision needs to recharge its battery, it will stop mowing and follow the border in anti-clockwise direction back to its charging base. Once charging is completed, Landroid Vision will automatically resume mowing or stay in the charging base according to its mowing schedule.

Rain sensor & Rain delay



Landroid Vision is 100% weather proof and happy to be outside. But mowing wet grass does not give you the best result. Landroid Vision is equipped with a rain sensor which detects rain and tells Landroid Vision to stop mowing and go back to its charging base. Landroid Vision then re-starts mowing when the grass is no longer wet. The default Rain Delay time is 180 minutes. You can change the Rain Delay time setting via the Landroid Vision App.

No more grass clippings to collect



Landroid Vision's daily mowing produces very short clippings that don't need to be raked, or collected. These clippings are a perfect organic nutrient for your lawn. Frequent mowing boosts the density of grass blades and effectively prevents the propagation of weeds.

Cutting Height



Before starting your Landroid Vision at the first time, make sure your grass is not longer than 9 cm. If it isn't, use a regular mower to cut it before operating Landroid Vision. If you want to drastically shorten the height of your grass, it is recommended that you do so progressively, by adjusting the cutting height in steps.

In more extreme weather



In case of a lightning storm, protect Landroid Vision by unplugging the charging base and making sure Landroid Vision is not allowed to charge. In the Winter and especially in case of very cold weather and snow, we recommend you to store your Landroid Vision inside. In some countries we offer a Winter servicing of your Landroid Vision so it's ready for the Spring growing season. Contact your dealer or check online for more details.

Security & PIN Protection

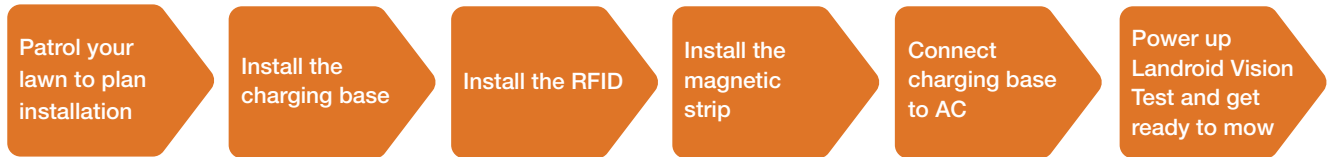
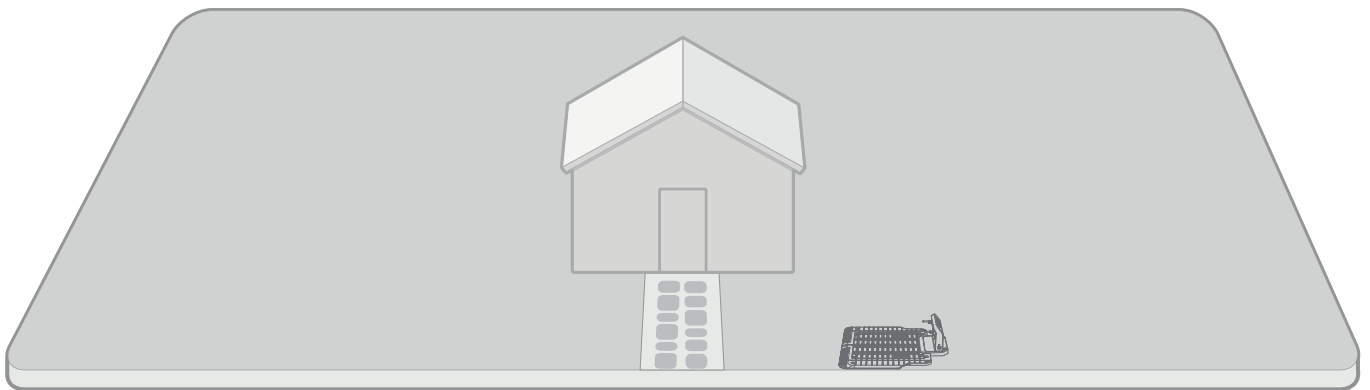


To prevent unauthorised people from being able to use it, Landroid Vision is protected by a PIN code that you can easily set up. Besides, Landroid Vision also supports auto lock function to prevent children or bystanders getting access to the settings.

PREPARATION AND PLANNING

Preparing your Worx Landroid Vision to work is easier if you carefully follow these instructions. **In addition to this manual, you can watch the comprehensive video tutorials on our YouTube channel* to get up-to-date instruction.**

* This information is provided for your convenience but cannot substitute the instruction manual and the safety instructions that need to be read and understood.



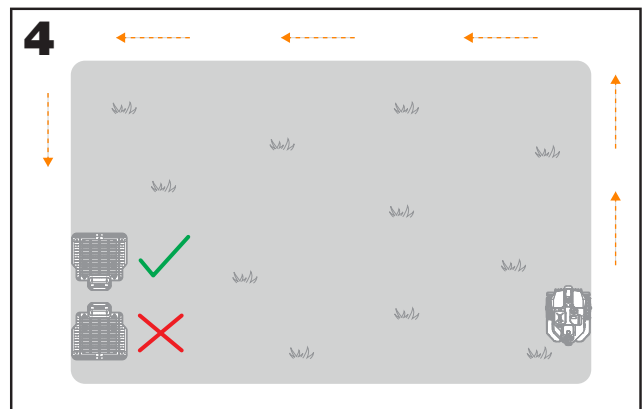
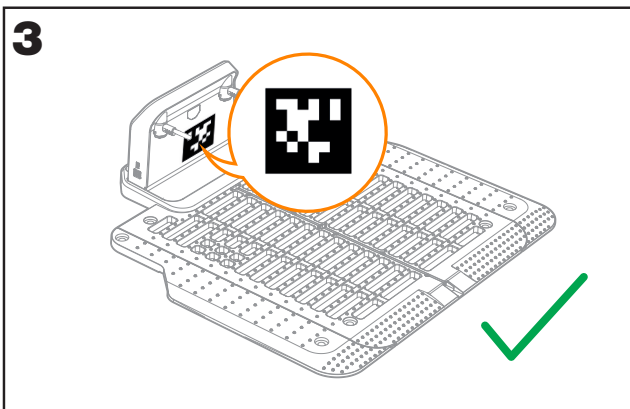
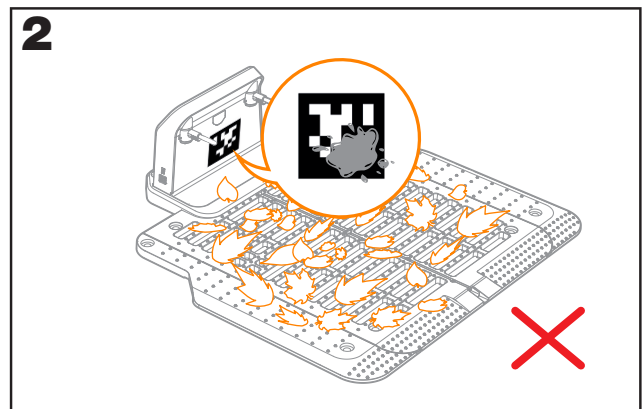
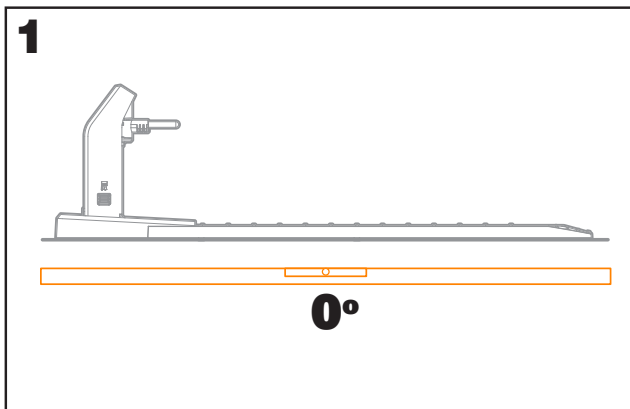
1. PATROL YOUR LAWN TO PLAN INSTALLATION

1.1 Plan for the charging base (See Fig. 1 - Fig. 4)

The charging base composed of charging base plate and charging tower, is where your Landroid Vision goes to have its battery recharged. It's also the parking lot where it rests in between one mowing session and the next.

Locate a proper position for it, bearing in mind:

- The charging base needs to sit on flat land to ensure effective docking.
- It needs 2 m straight driving path in front for Landroid Vision following the edge and entering the charging base.
- There isn't a large area of bare ground or sparse grass within the 2 m driving path to enter the charging base.
- The QR code on the charging tower is clear.
- It needs to be powered and be no more than 10 m away from an AC mains outlet.
- If possible, choose a shaded position as batteries and chargers don't like over-heating.
- Avoid places close to irrigation sprinklers.
- Make sure Landroid Vision enter right towards to the charging base and depart in anti-clockwise direction.



1.2 Plan for the RFID used for multi-zone

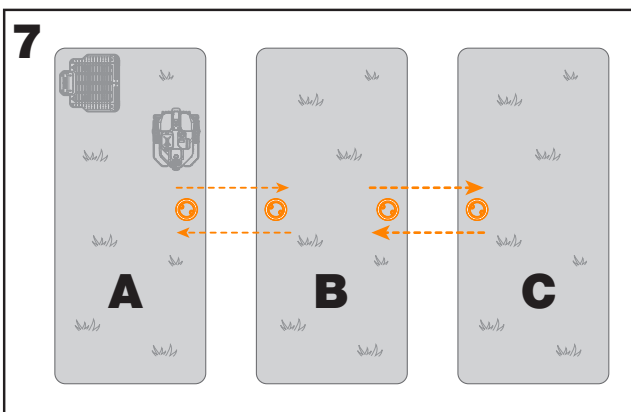
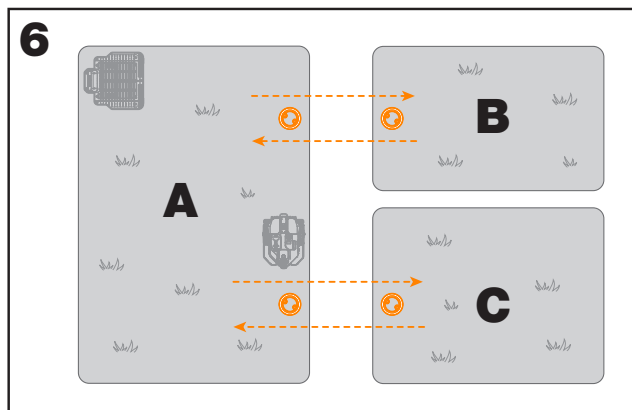
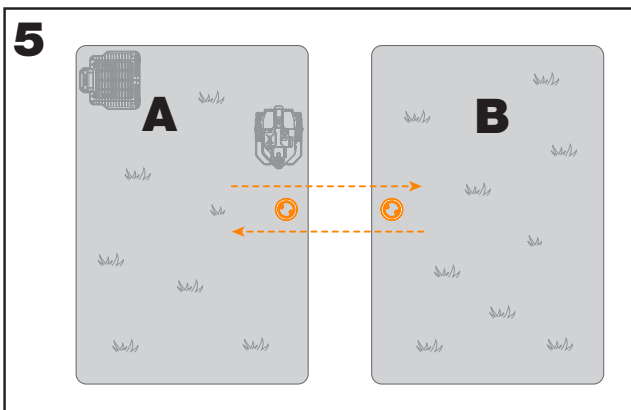
If you have separated lawns, the equipped RFIDs can help Landroid Vision navigate the passage or pathway and cut the separated lawn areas. The Landroid Vision follows the lawn edge and senses all the RFID cards to explore the zones in the first travel. The mower will follow its working schedule, sense the RFID card and come across to another zone to complete its work afterwards.

Each Landroid Vision will be equipped with 2 RFIDs. You need to install the RFID in each zone. If you have two separated lawns, you can refer to **Figure 5** to install the RFID. If you have three separated lawns, you can refer to **Figure 6** and **Figure 7** to install the RFID.

To make sure the RFID work well, please help check:

- there are no obstacles or large area of bare grass and the edge is straight within 1.5 m around the RFIDs.
- the boundaries around the RFID are distinct and parallel.
- the width of each zone is greater than 2 m.
- the ground under RFID is flat.
- no wires and strong magnet devices within 30 cm around the RFID to avoid signal interference.
- make sure the path between each zone is shorter than 6 m and that the height of any steps on the pathway are less than 3 cm.

NOTE: If the RFID's supplied are not enough for you, you can purchase more from our retail partners and online.



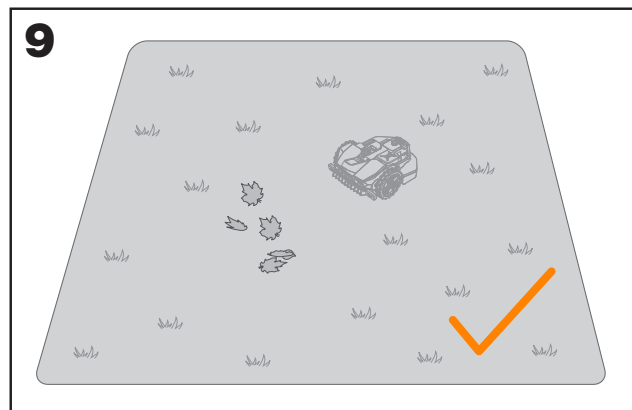
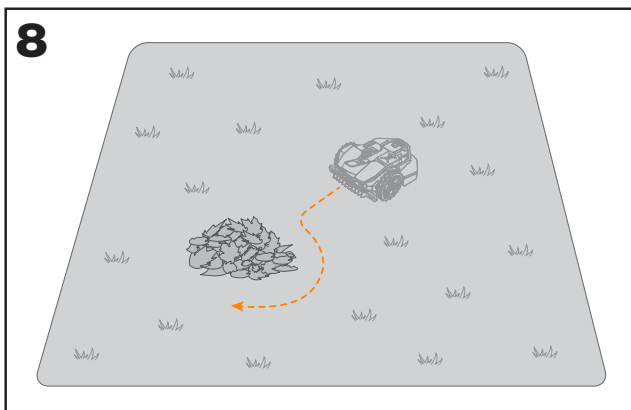
1.3 Patrol your lawn

A. Cutting height

It is recommended that the cutting height is lower than 9 cm at the first Landroid Vision do the cut.

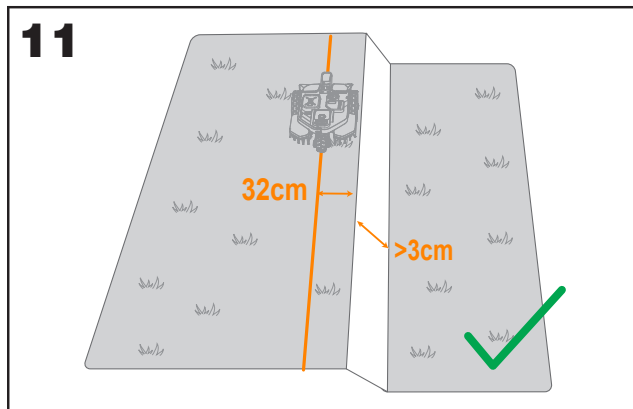
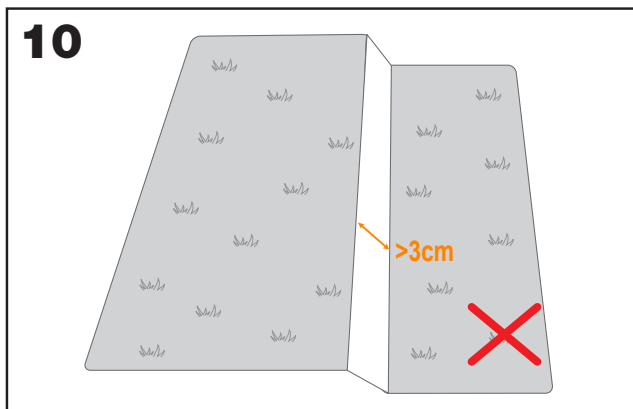
B. Piles of things (See Fig. 8 - Fig. 9)

We suggest you to clean up the things such as leaves and wildflowers on the lawn, otherwise Landroid Vision will see them as obstacles and avoid cutting this area.



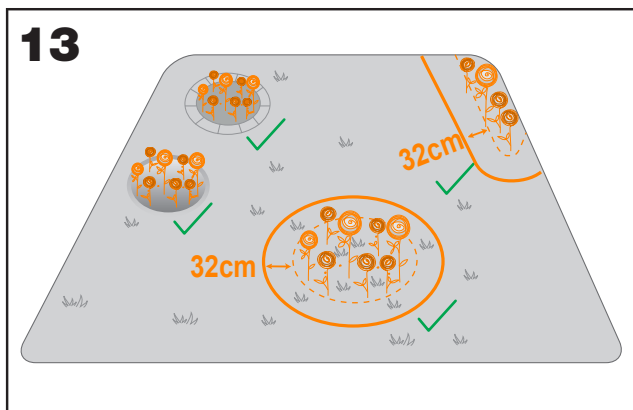
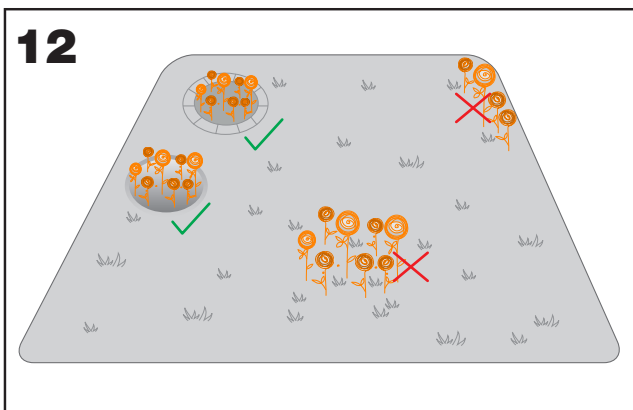
C. Steps covered by grass on the boundary (See Fig. 10 - Fig. 11)

If the steps on the lawn boundary are covered with grass and there is also grass underneath the steps, and the height of the steps is more than 3 cm. It is recommended to install magnetic strips around the edges of the steps or leave a path without grass that is wider than 5 cm.



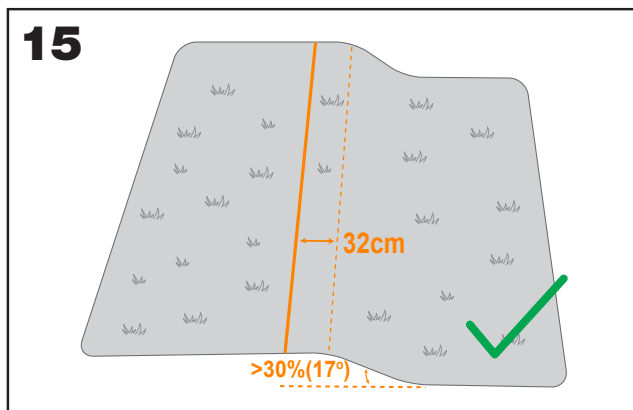
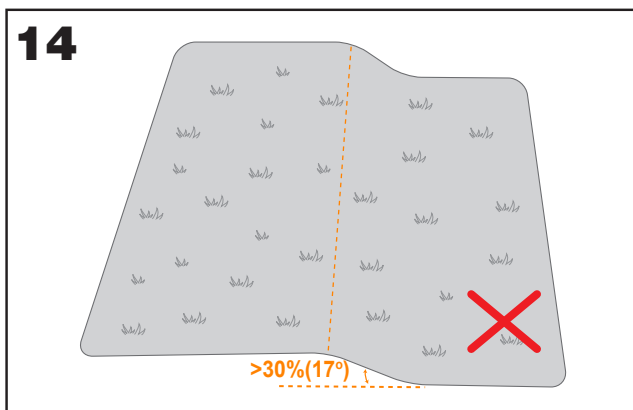
D. Protected area (See Fig. 12 - Fig. 13)

If there are flowerbeds, vegetation or other valuable plants in your garden or on the boundary that are connected with or covered by grass, Landroid Vision may cut these when mowing. It is recommended to surround these areas with the magnetic strip, or set up a path without grass that is wider than 5 cm.



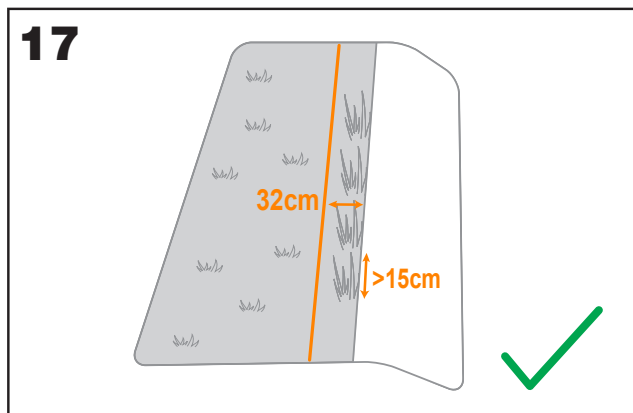
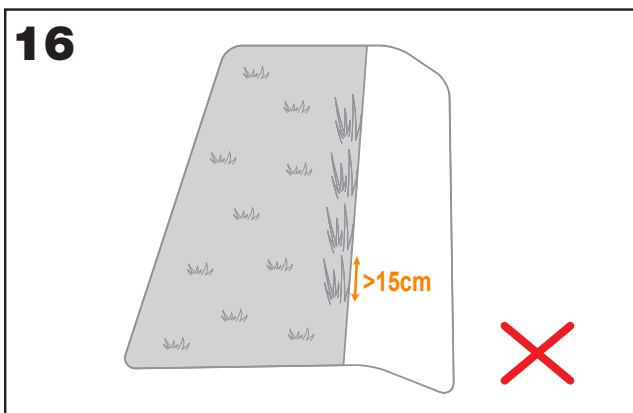
E. Slope at edge higher than 30% (17°) (See Fig. 14 - Fig. 15)

If your lawn edge has a steep slope higher than 30% (17°), Landroid Vision will struggle to navigate the slope. In order to protect your Landroid Vision, it is recommended to surround the slope area with the magnetic strip or set up a path without grass that is wider than 5 cm.



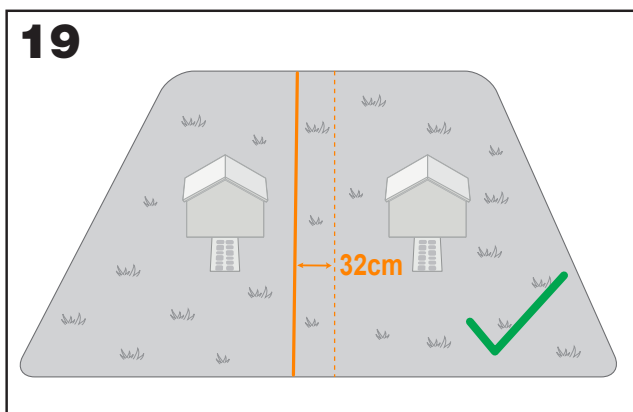
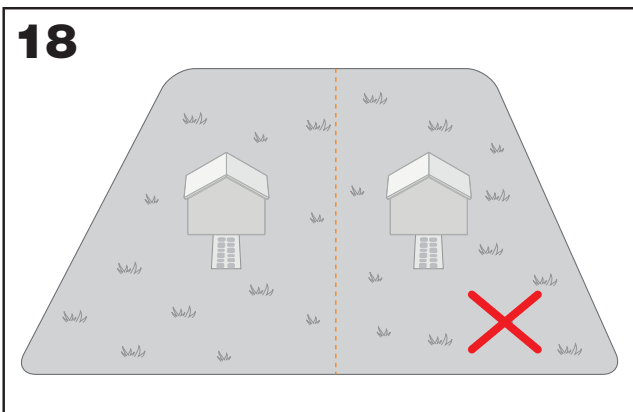
F. Tall grass (See Fig. 16 - Fig. 17)

If there is tall grass along the boundary, and the height of the grass is greater than 15 cm. If there are water puddles or holes underneath the tall grass, it is recommended to cut the grass to below 15 cm or install magnetic strips around the tall grass.



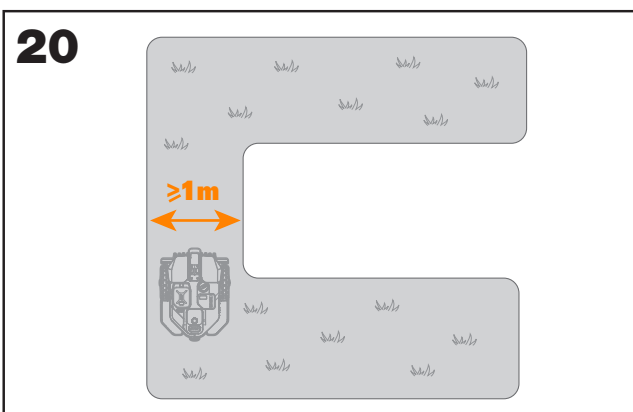
G. Adjacent grass (See Fig. 18 - Fig. 19)

If your lawn is connected to your neighbor's lawn, we recommend that you install magnetic strips or create a 5 cm wide path without grass as a boundary.



H. Narrow passage (See Fig. 20)

Make sure the narrow passage for Landroid Vision to pass is wider than 1 m.



NOW ROLL YOUR SLEEVES UP. WHEN IT'S DONE IT'S DONE!

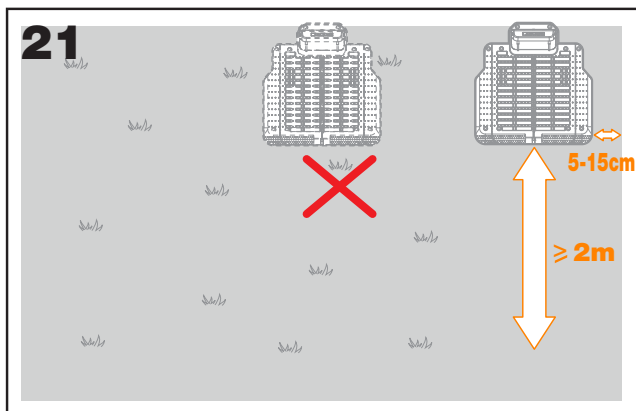
Now that you have planned the installation in every detail, you are ready to take action. Before starting, you may want to use your old mower for the last time to clean up your lawn and make the installation easier.

2. INSTALL THE CHARGING BASE

2.1 Position the charging base

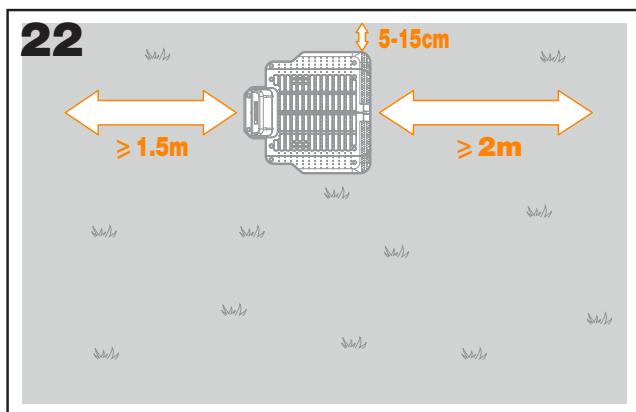
Option A: Position the charging base at the corner of your lawn (See Fig. 21)

To enter the charging base, Landroid Vision needs at least 2 m straight path in front and 5-15 cm away from the boundary of the lawn.



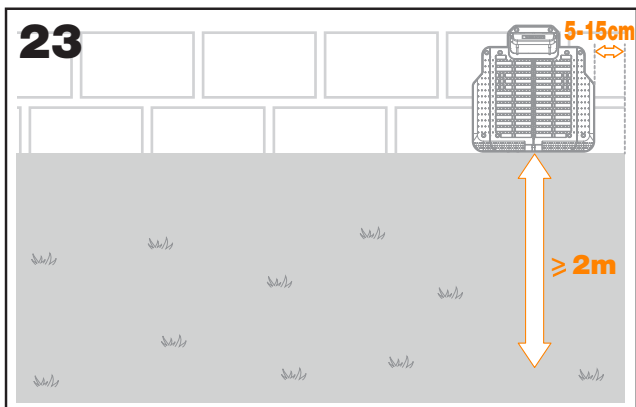
Option B: Position the charging base on one side of your lawn (See Fig. 22)

To enter the charging base, Landroid Vision needs at least 2 m straight path in front and 5-15 cm away from the boundary of the lawn. It needs at least 1.5 m behind the charging base to make sure the grass can be cut.



Option C: Position the charging base in the corner outside the lawn (See Fig. 23)

Locate charging base on the extension line and 5-15 cm away from the edge. To enter the charging base, the charging base should be placed near the edge of the lawn.



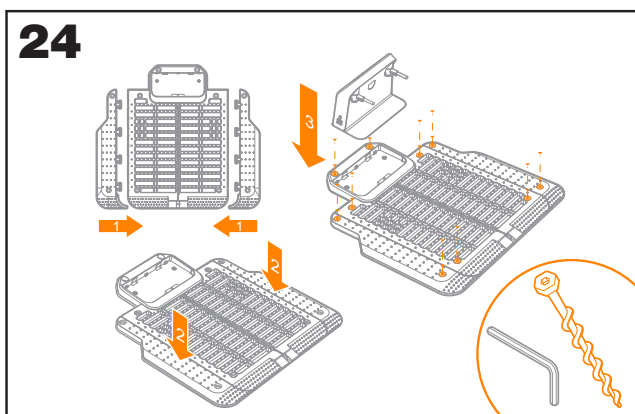
2.2 Charging base checklist:

- within reach of AC mains
- in shade (if possible)
- no obstacles, and no area of sparse grass within the 2 m straight path to the charging base
- flat or level location
- no irrigation sprinklers nearby

2.3 Fix the charging base in the selected location (See Fig. 24)

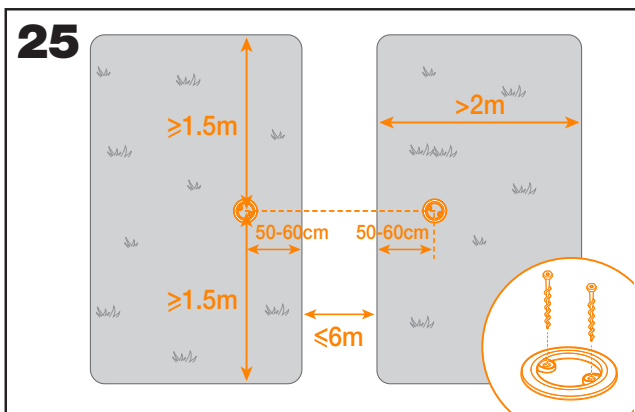
- Compose the charging base plate, flatten and tighten the conjunction.
- Insert charging tower into charging base plate. Then fix the charging base to the ground by means of the supplied screws, using the supplied hex key.
- If you position the base on hard surface, fix it with plug and screw fixings.

NOTE: It is recommended to assemble the charging base on a flat and hard surface.



3. INSTALL THE RFID (See Fig. 25)

- The distance from the centre of the RFID to the front and rear lawn boundaries needs to be greater than 1.5 m.
- Make sure the center of the RFID is 50-60 cm away from the lawn edge, fix the RFID with 2 screws.
- Put another RFID symmetrically in the opposite zone and fix it.

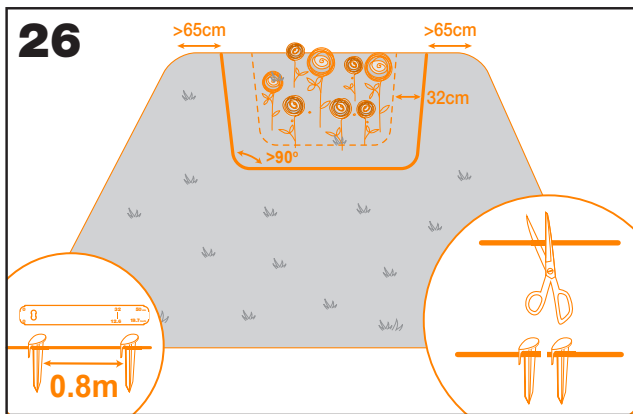


4. INSTALL THE MAGNETIC STRIP (See Fig. 26)

To make sure Landroid Vision work well on the magnetic strip, please take note of the following points:

- The magnetic strip is installed 32 cm away from the protected area and border.
- The distance from the magnetic strip to both lawn edges is greater than 65 cm.
- The angle at the magnetic strip's bend should be greater than or equal to 90 degrees.
- The magnetic strip can be cut and secured at both ends with magnetic strip pegs.

NOTE: If the supplied magnetic strip is not enough for you, you can purchase more from our retail partners and online.

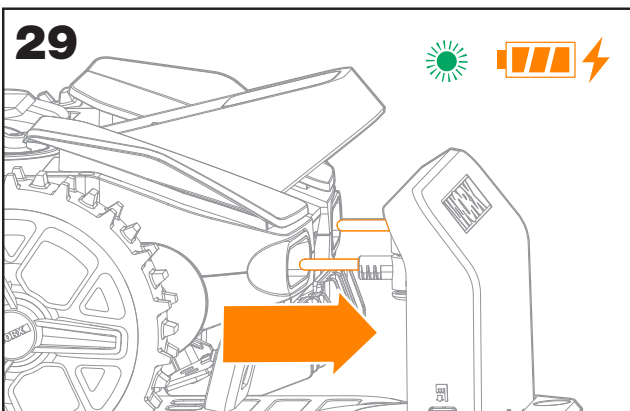
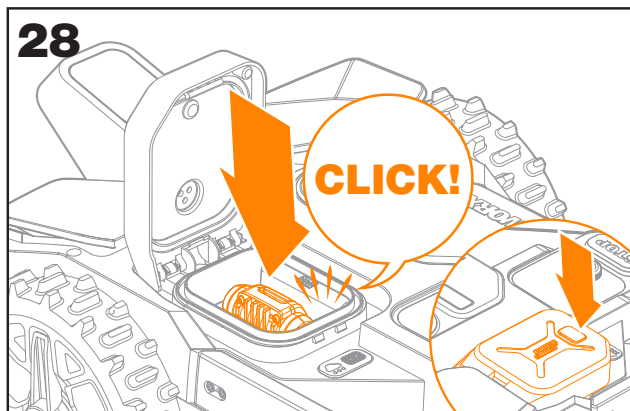
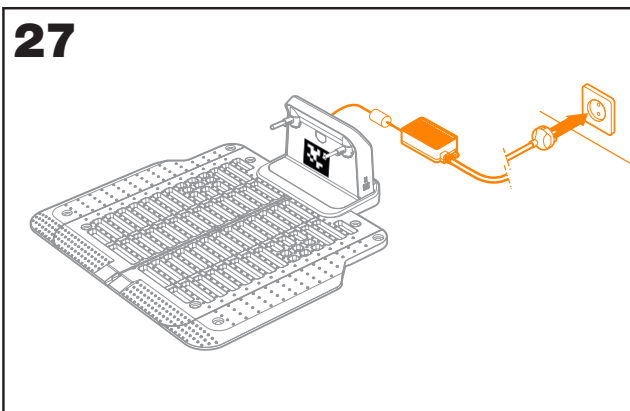


5. CONNECT CHARGING BASE TO AC

There are only a few more steps to go:

- Connect the charging base to the AC mains socket. (See Fig. 27)
- If everything is fine, the LED will light green.
- Open the cover of the battery enclosure and insert the PowerShare battery into the slot until it clicks. Then close the cover. (See Fig. 28)

- Place Landroid Vision on charge by making sure a deep contact is established with the base. (See Fig. 29) The LED will blink green; once the battery is fully charged, the LED will turn solid green.
- Let the battery get charged for a while. Whilst it is charging you may want to take a well-deserved break: get familiar with the following instructions, and connect Landroid Vision to your Wi-Fi network.

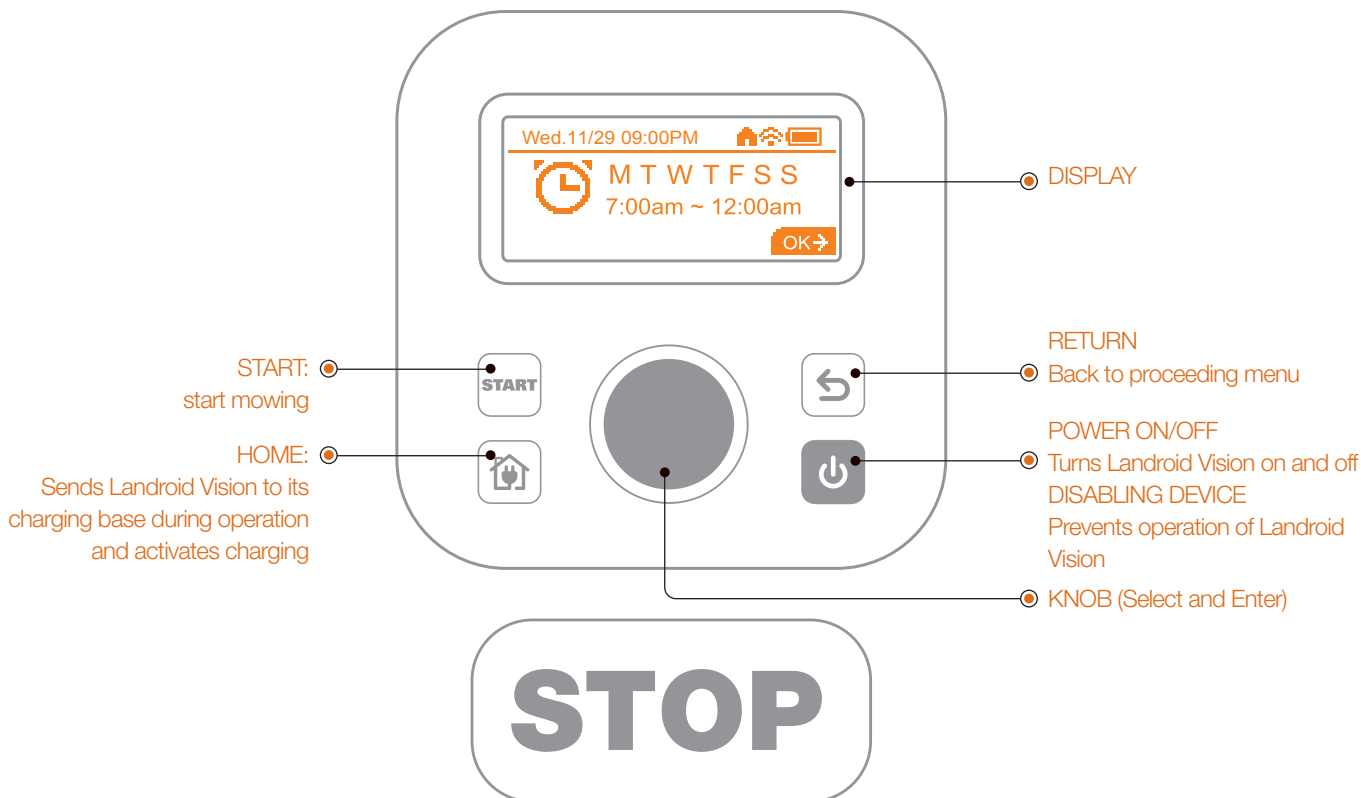


NOW FOR THE EXCITING BIT! START LANDROID VISION FOR THE FIRST TIME.

Get familiar with the control panel

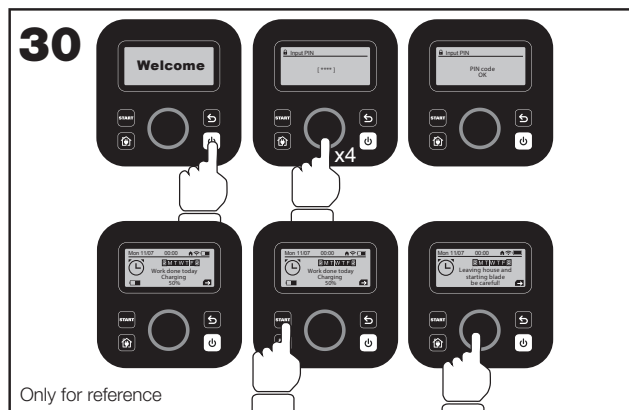
Landroid Vision’s control panel provides the key functions in a minimalistic design.

For advanced functions, the free Landroid Vision App provides further options in a richer interface: your smartphone.



1. Start Landroid Vision (See Fig. 30)

- Position the Landroid Vision in the charging base and get it charged.
- Press and hold down until the display lights up .
- Enter the default PIN code 0000 by pressing three times. The display will show 0000. Press again to confirm. The display will show “PIN code OK”.
- Press the button and then the button to confirm. The Landroid Vision will start mowing the lawn.
- You can stop the Landroid Vision at any time by pressing the large red button .
- To send the Landroid Vision to the charging base, press the button and confirm by pressing .



NOTE: For optimal performance of the Landroid Vision, it is recommended to perform “Update the software” during its initial setup.

2. Update the software

It is recommended you to update the software to the latest firmware. It helps Landroid Vision become smarter. Please note that Landroid Vision should be updated to the latest firmware at the first time.


Over-the-Air (OTA) updates

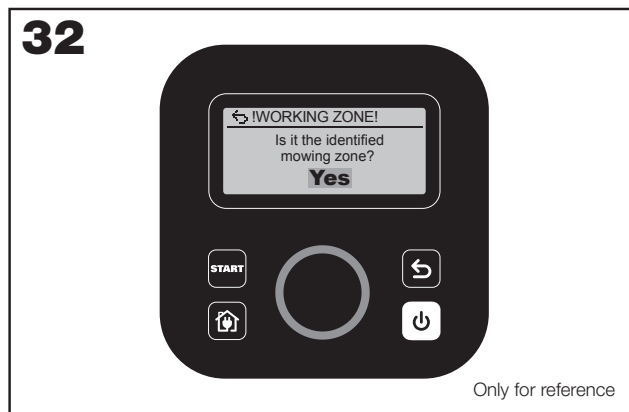
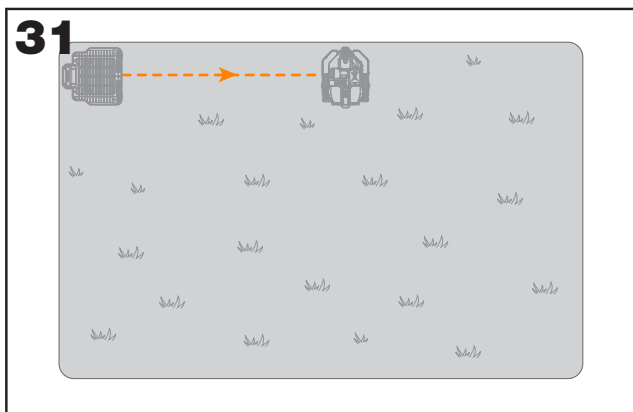
If your Landroid Vision is connected to your Wi-Fi network, you will be notified that new software is available via the App. Once you confirm, the update will happen automatically Over-the-Air.

NOTE: Make sure Landroid Vision is charging or the battery capacity has reached 50% prior to starting the firmware update.

3. Single zone: Identify the zone (See Fig. 31 - Fig. 32)

During the initial startup, Landroid Vision needs to confirm the working area. If you have a single lawn, please follow the steps below:

- Position Landroid Vision in the charging base within the designated working area and ensure it is charged.
- Start Landroid Vision, and it will exit the charging base to search for the lawn edge.
- Upon encountering the lawn edge for the first time, Landroid Vision will rotate in place, and a message “Is it the identified mowing zone?” will be displayed on the screen.
- Press  to confirm “Yes” and Landroid Vision will start working.



Only for reference

4. Set multi-zone

Use your smartphone at your fingertips and follow the instructions on App step by step. Exploring your lawn finishes in a blink.

MACHINE SETTING

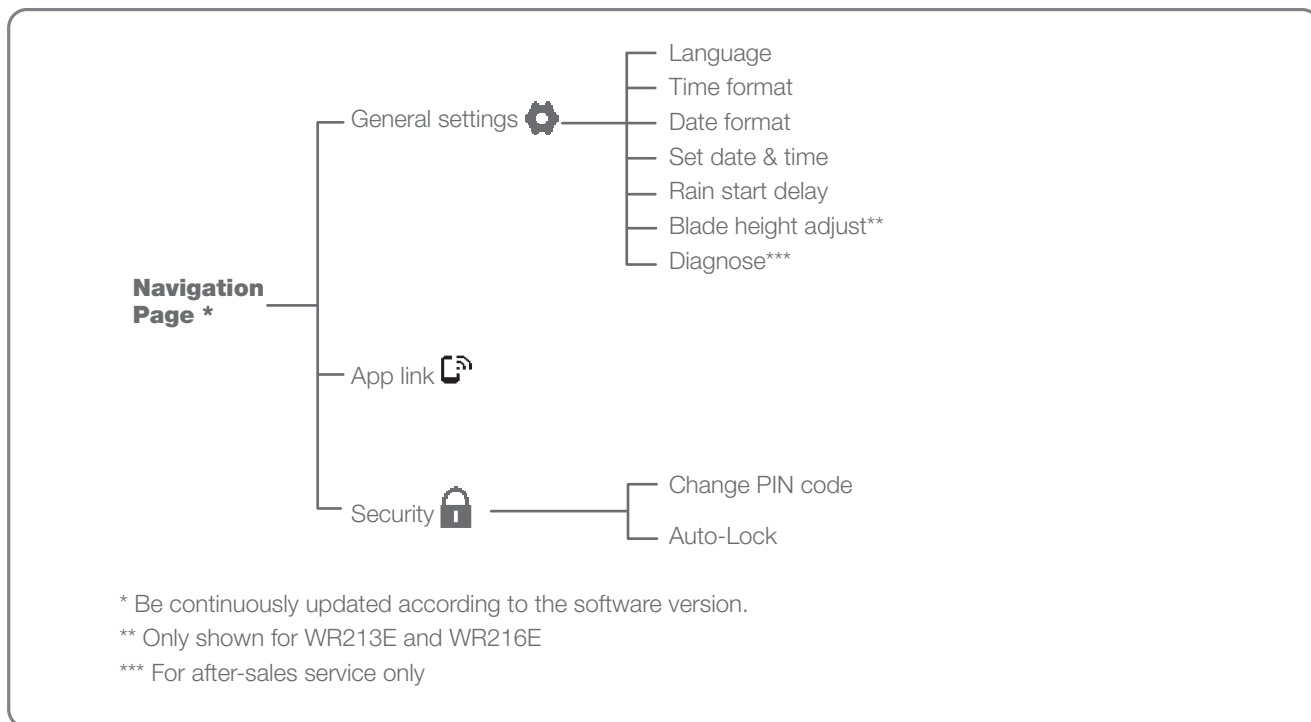
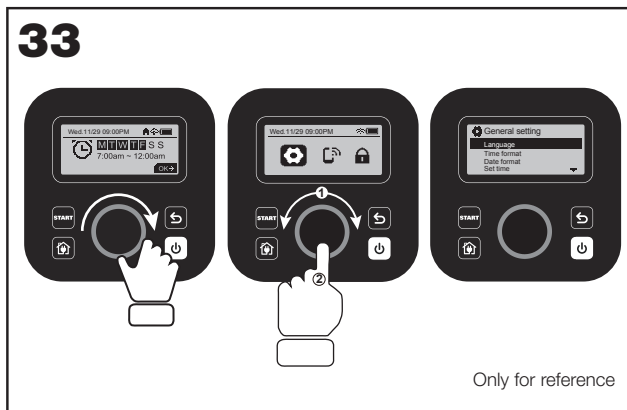
Advanced functions via the built-in interface

Despite its minimalistic design, you can set several advanced functions through the built-in control panel.

However, for the best user experience, we recommend you to use the free Landroid Vision App to do this, given its much richer and intuitive interface.

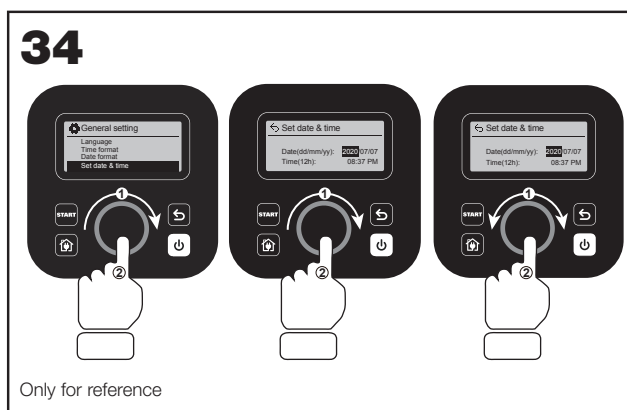
1. Settings (See Fig. 33)

- To access the main menu, rotate clockwise.
- Rotate to select the menu items:
 - “General settings”
 - “App link”
 - “Security”
 then press to enter.
- Use the same procedure for the following actions.



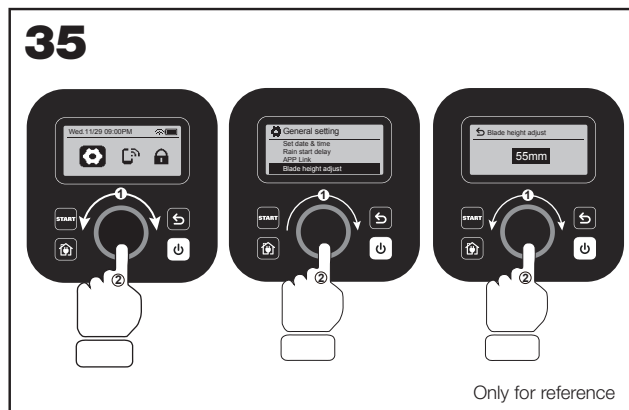
2. Set date and time (See Fig. 34)

- Return to “General settings”.
- Rotate clockwise to select “Set date & time”, then press to enter.
- Rotate clockwise to select the date, then press to confirm. The selected option (day, month or year) will start flashing.
- Rotate to select the day, month or year and press quickly to confirm. Use the same method to complete the “Year / Month / Time”.



3. Adjust the blade height (only for WR213E WR216E) (See Fig. 35)

- Back to home page, clockwise rotate to select General settings and press to confirm.
- Clockwise rotate to select Blade height adjustment, press to confirm.
- Press button, the cutting height can be adjusted between 30-60mm (5mm every turn). Clockwise rotate to select the cutting height you prefer, and then press to confirm.



4. One time schedule

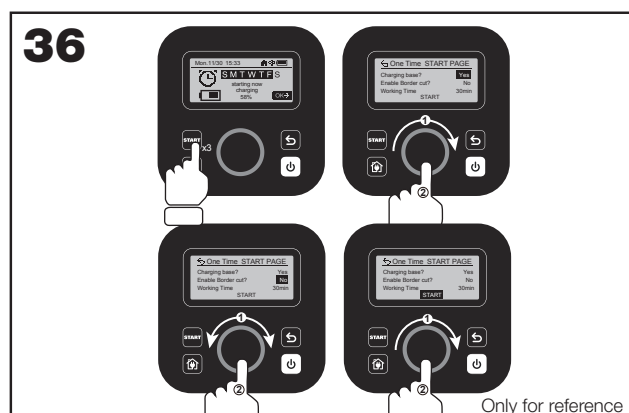
To cut the lawn on a day or at a time outside the programming period, simply start the Landroid Vision by pressing the button and then the button to confirm. However, in this case the Landroid Vision will only cut the lawn for the duration of the battery life and once back at the base for charging it will stay there until it is programmed to start again.

However the new “One time schedule” function allows a precise working time to be programmed with a border cut option. It is also possible to decide whether at the end of the cutting session the Landroid Vision should return to the charging base or switch off on the spot. This is very useful in any situation where an area of the lawn is not connected by a path that the Landroid Vision can travel over to the main lawn (where the recharging base is located), i.e. those areas where the Landroid Vision needs to be transported by hand, preventing it from continuing to operate until it runs out of battery.

- If the Landroid Vision has access to the recharging base. (See Fig. 36)

NOTE: to activate the “Border Cut”, option, the Landroid Vision must be positioned in the recharging base.

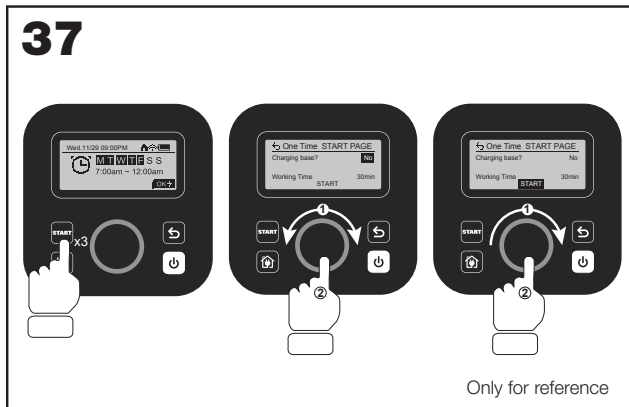
- Position the Landroid Vision at the recharging base.
- Go to the main menu.
- Quickly press the button three times.
- Rotate clockwise, select “Charging base - Yes / No”, then press to enter settings.
- The selected word will flash. Select “Yes” and press to confirm.
- Rotate to select “Enable Border Cut - Yes / No”, select the desired option and confirm.
- Follow the same procedure to select the “Working Time”.
- Rotate clockwise to choose whether or not to activate “Start” and press to confirm. Once the battery has run out, the Landroid Vision will return to the base to recharge and, if necessary, restart in accordance with the newly set working time.



- If the Landroid Vision does NOT have access to the charging base. (See Fig. 37)

NOTE: the option "Border Cut" is not available for areas without access to the charging base.

- Go to the main menu.
- Quickly press the **START** button three times.
- Rotate **0** clockwise, select "Charging base - Yes / No", then press **0** to enter settings.
- The selected word will flash. Select "No" and press **0** to confirm.
- Follow the same procedure to select the "Working Time".
- Rotate **0** clockwise to choose whether or not to activate "Start" and press **0** to confirm. Once the battery or working time has run out, the Landroid Vision will shut down on the spot.



5. Auto-Lock (See Fig. 38)

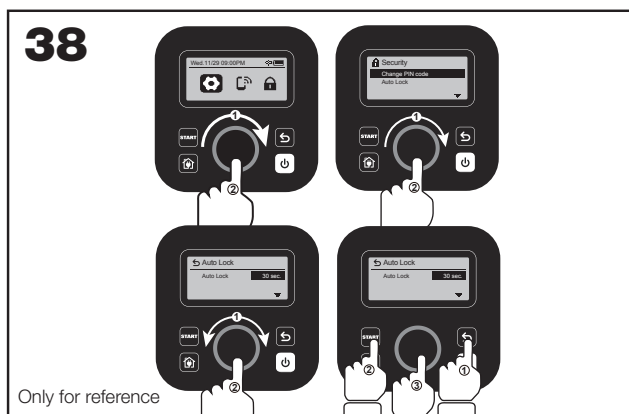
Auto-lock prevents accidentally messing up with Landroid Vision's settings, especially in situations where children or bystanders could have access to the machine.

Auto-lock blocks the functionality of Landroid Vision's keyboard and menu. Once this functions is active, you will have to input the PIN code before being able to access the menu with the settings.

In case any button is pressed while Landroid Vision is moving, it will stop. To resume mowing and to access the menu, the PIN code will have to be entered.

Please be aware that Auto-lock will not affect Landroid Vision's regular work sessions – unless, of course, someone tampers with the keyboard.

- Return to main interface.
- Clockwise rotate **0** to "Security" and short press **0** to enter.
- Clockwise rotate **0** to "Auto-Lock" and short press **0** to enter.
- At this moment, people will see the black shading under the lock-time number. Short press **0**, the black shading will disappear. Then, clockwise rotate **0** to adjust the lock time from 30 seconds to 10 minutes (For example, if 30 seconds are selected, the display will be locked in 30 seconds.). Each rotate will add 30 seconds. After set, short press **0**.
- Next, return to main interface and short press "Start" then **0**, mower will start or continue to work.
- To change the Auto-lock setting, push any button on the keyboard. If Landroid Vision is moving, it will stop. Enter the PIN code to unlock the keyboard and change the settings.



CONNECTING LANDROID VISION TO THE INTERNET

Why connect Landroid Vision

Landroid Vision is an IoT (Internet of Things) device. To get full functionality out of your Landroid Vision and keep it always updated to the latest software, it is recommended to be connected to the internet via your Wi-Fi network. The more Landroid Vision mows your lawn, it will become smarter when connected to the internet.

BEFORE YOU START

1. Download the App

Download the free Landroid Vision App first. Get it from Android or Apple App stores.

2. Ensure you have:

- Your Wi-Fi network password/Bluetooth function on your smartphone.
- Landroid Vision Serial Number: it can be found in the label under the rear bonnet of the machine.

If you don't want to type the 20-digit Serial Number, input it by scanning the QR code with your smartphone's camera.

3. Check your settings

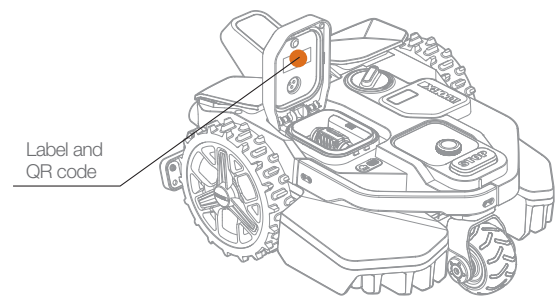
Wi-Fi connection

- Landroid Vision works with 2.4GHz/5GHz Wi-Fi signal.
- Make sure your Landroid Vision is in the same router environment as your smartphone.
- Make sure the distance between your Landroid Vision, smartphone and your router is as close as possible during connection.

Tip: When Landroid Vision moves to an area of your lawn with poor or no Wi-Fi signal, instructions sent from the App will only be executed when Landroid Vision returns to an area with good signal.

Bluetooth function

- Bluetooth function on your smartphone is activated.
- Make sure your Landroid Vision is within the connectable distance.



LANDROID VISION APP NOT A SIMPLE REMOTE CONTROL

Don't regard it as a remote control. The App is an integral part of the Worx Landroid Vision advanced ecosystem based on cloud computing and artificial intelligence.

Thanks to the App's augmented reality feature, you can measure the exact area of your lawn. It's as easy as taking a walk along its border.

You can use the App to upload information on your grass species, soil type and irrigation. These inputs, in combination with weather data and lawn size, will allow our cloud computing to tailor-make your Landroid Vision's working schedule to the actual growth of your grass, everyday.

The App also lets you view statistics on what Landroid Vision has been doing for you.

If you ever need to get your Landroid Vision serviced, you can even open a service ticket by using the App.

The App also notifies you when there's new software available for Landroid Vision to download automatically over the air.

Once connected, Landroid Vision can access its unique auto scheduling instructions from the cloud and is able to download the latest software to optimise its performance.

MAINTENANCE

Your Landroid Vision, works hard and needs to be cleaned and checked from time to time. This section of our guide helps you keep Landroid Vision in good shape so it can last for years without trouble. Here's how to take care of your Landroid Vision. Switch off the machine before carrying out any service or maintenance.

KEEP IT SHARP

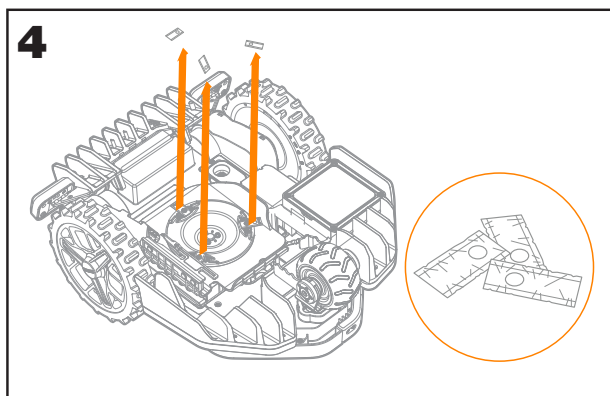
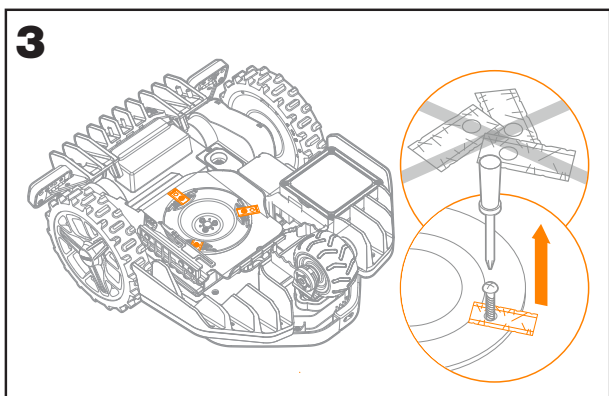
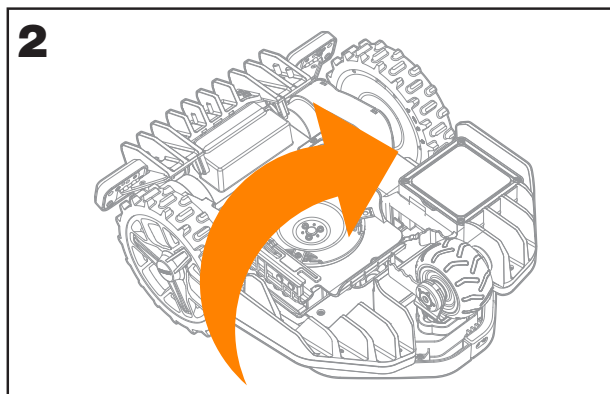
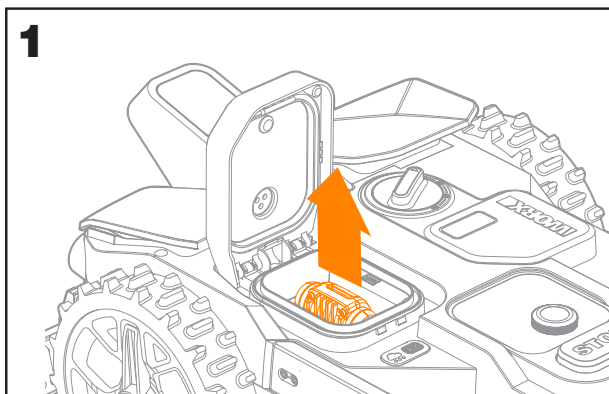
Landroid Vision does not cut grass like other mowers. Its cutting blades are razor sharp on 2 edges and rotate in both directions for maximum cutting capacity.

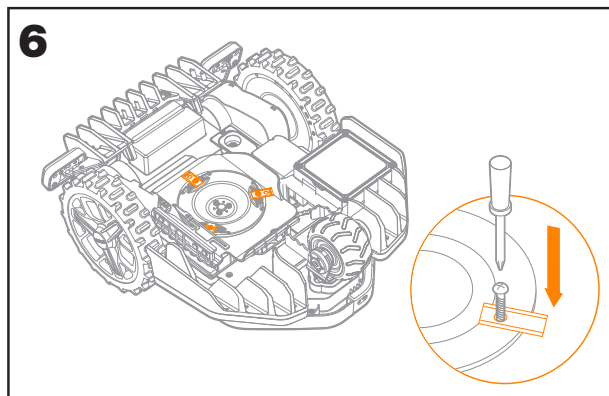
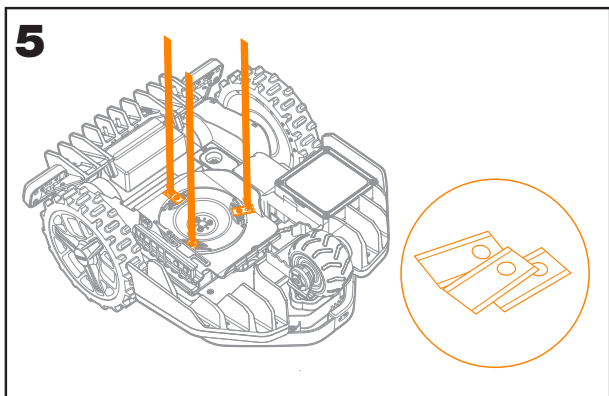
- The blade turning disc makes a clockwise and counterclockwise rotation at random to use both cutting edges and minimize the frequency of replacing the blades.
- Each cutting blade will last up to 2 months when it is programmed to mow every day.
- Always check to see if the blades are chipped or damaged and replace them if they are.
- When the cutting blades are dull and worn out, they should be replaced with the spare blades provided with your Landroid Vision. Spare blades are also available at your nearest Landroid Vision retailer.

⚠WARNING! Before cleaning, adjusting, or replacing the blades, turn your Landroid Vision OFF and remove the battery. Always wear protective gloves.

Replacing the Blades

- Remove the battery (See Fig. 1) and gently flip the Landroid Vision over (See Fig. 2).
- Take the screws off the blades with a screwdriver (See Fig. 3 - Fig. 4).
- Firmly screw on the new blades (See Fig. 5 - Fig. 6).



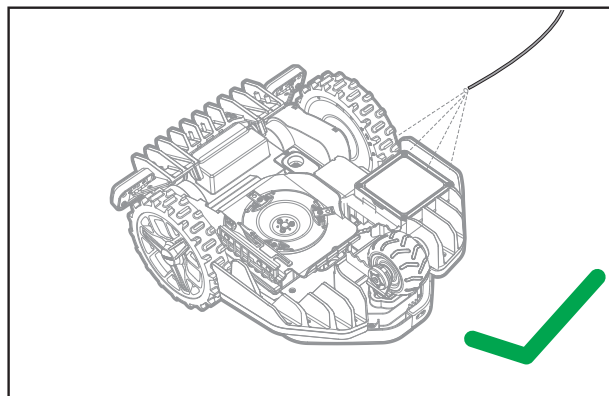
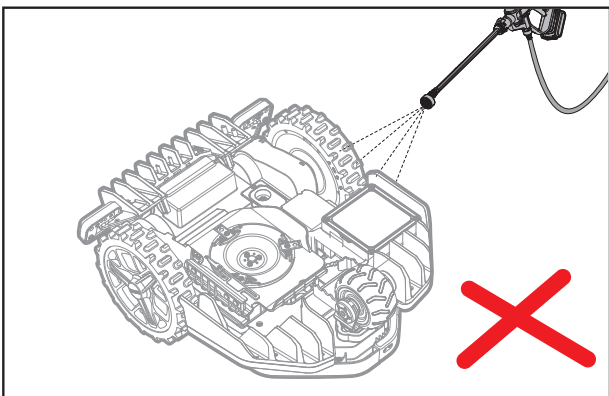


⚠Attention: When fitting new blades, make sure you replace ALL the blades. Always use new screws when fitting blades. This is important to ensure blade retention and balance the blade turning disc. Failure to use new screws could cause serious injury. Important: After screwing the blade to the blade disc, make sure the blade is able to spin freely.



Your Landroid Vision should be cleaned regularly. This helps keep it in good conditions, especially removing dirt, debris and the build-up of grass clippings from daily mowing. Turn Landroid Vision off before cleaning it. For extra safety, remove the battery.

⚠Attention: Make sure the battery pack cover is closed when washing your Landroid Vision.
⚠WARNING! YOUR Landroid Vision can only be washed by using a hose! **DO NOT** use high pressure washer on your Landroid Vision. High pressure water can go inside the sealings and damage electronic and mechanical parts.



Cleaning the upper body

- Clean with a spray bottle filled with water. Don't use solvents or polishers.
- Use a brush or a clean cloth to remove built-up dirt.

Cleaning the Bottom

- Flip Landroid Vision upside down.
- Remove debris and grass clippings using a brush to remove.
- Be careful not to touch the blades with your hands. Wear gloves for protection.
- Clean the blade disc, the chassis and the front wheel(s) thoroughly with a soft brush or moist rag.
- Rotate the blade disc to ensure it rotates freely. Remove any obstructions. Remove any lodged debris so that they don't cause a crack in the blade disk. Even the tiniest crack effects mowing performance.
- Check the blades spin freely around the fixing screws. Remove any obstructions.

Cleaning the drive wheels

Remove mud from wheels with a brush in order to ensure good grip of the tread.

Cleaning the camera

We recommend that users regularly wipe the camera with a rag.

Clearing the charging contacts

- Clean the contact pins located on the charging pile and the charging contacts located on the Landroid Vision using a cloth.
- Periodically remove any build-up of grass clippings or debris around the contact pins and the charging strips to ensure Landroid Vision successfully charges each time.

KEEP IT CHARGED



The heart of Landroid Vision is its 20V Li-Ion Worx Powershare Battery.

- For the proper storage of the battery, make sure it is fully charged and kept in a cool dry place.
- The recommended Landroid Vision operation temperature is between 0-55°C.
- The life-span of Landroid Vision’s battery depends on hours of usage and the length of use per day during the mowing season.

Landroid Vision can be charged manually

- Connect the charging base to a suitable power supply. The green light on the charging base will turn on.
- Manually dock Landroid Vision into the charging base while Landroid Vision is powered off.
- The green light on the charging base will flash and Landroid Vision will begin to charge.

The battery can be replaced manually

- Press the button on the battery cover and open the cover.
- Take out the old battery and install the new battery pack.
- Close the battery cover.

NOTE: Install the battery pack according to the polarity direction of the battery marked on the physical object.

KEEP IT STORED OVER THE WINTER



Although Landroid Vision is designed and built to survive the most severe weather conditions, we recommend storing it in your shed or garage during the winter. To prepare it for winter hibernation:

- Clean it thoroughly.
- Fully charge the battery.
- Turn the power off.

Getting back to work in the Spring

When it is time to re-start Landroid Vision for the new season, please perform the following checks:

- Update the time and date settings via the App.
- If you notice signs of oxidation on the charging contacts of Landroid Vision and the charging base, clean these with a fine grade emery cloth.
- Full charge Landroid Vision’s battery before operating.

KEEP IT UPDATED



Landroid Vision is always improving and new software versions are made available for free. Always keep Landroid Vision software updated to make the most of your machine.

Check which software version you have

The software version number can be seen when the Landroid Vision is powerd-on.

Over-the-Air (OTA) updates

If your Landroid Vision is connected to your Wi-Fi network, you will be notified that new software is available via the App. Once you confirm, the update will happen automatically Over-the-Air.

Manual updates

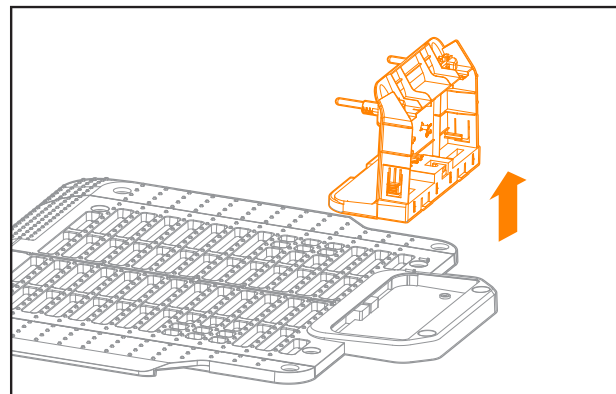
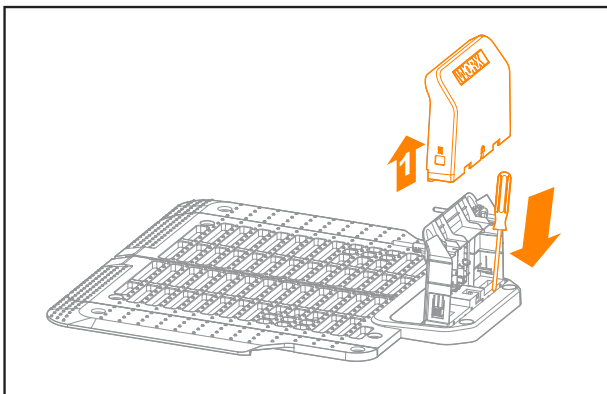
- If your Landroid Vision is not connected to your Wi-Fi network, you can still update it to the latest software version with a USB stick.
- Regularly visit the Worx Landroid Vision website to check if any new version is available. If you subscribed to Landroid Vision email list, you will be notified when a new version is available.
- Download the latest software version at our website.
- Take a blank USB stick formatted in **FAT32**.
- Save the file and extract the content to your USB stick.
- Make sure your Landroid Vision is getting charged.
- Turn off Landroid Vision.
- Open the battery cover of the Landroid Vision to access the USB port.
- Insert the USB stick in the port.
- Turn on Landroid Vision.
- Without lifting Landroid Vision, remove the USB stick when “Please remove the USB key” is displayed.
- The update will begin automatically and may take a while. Landroid Vision will restart automatically after the update is completed.

NOTE: Make sure Landroid Vision is charging or the battery capacity has reached 50% prior to starting the firmware update.

Remove the charging tower

- Simultaneously press the two clips on the charging tower cover to remove the charging tower cover.
- Use a screwdriver against the charging tower pin, then remove the charging tower.

NOTE: When Landroid Vision is not in use for a long time, removing and properly storing the charging tower can prolong the service life of the charging base.



This section contains a guide on operation and potential error messages Landroid Vision displays. There is also a troubleshooting section at the end that is designed to help you understand and solve any issues.

OPERATION MESSAGES

MESSAGE	LANDROID VISION ACTION
Cutting grass	Cutting grass according to the mowing schedule.
Raining	The rain sensor detects water. Landroid Vision will return to the charging base and stay there for the time you have programmed it to do so. When dry, Landroid Vision will auto-matically begin the rain delay countdown and then return to mow. If you want Landroid Vision to mow before this, simply turn it off then on again, but only when the rain sensor is dry, or you can remove the rain delay completely by setting the rain delay time to zero.
Going home	Needs to recharge—during the journey to the base, the cutting blade is stopped in order to save energy.
Charging	'Charging' and charge percentage are displayed.
No working time scheduled	Stand-by, needs to be programmed as desired.
Not working today	Stand-by, will start according to mowing schedule.
Work done today	
Charge complete	Landroid Vision has completed its charging.
Emergency charge	Landroid Vision is charging in a powered-off state.


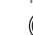


ERROR MESSAGES

Sometimes things can go wrong. Fortunately Landroid Vision is smart enough to tell you if it is encountering an issue, so you can fix it. If in doubt, please visit our website where you will find useful videos and further support.

MESSAGE	CAUSE	ACTION
	Battery pack cover is open.	Close the battery pack cover.
Outside working area! Press START to reset.	Landroid Vision cannot find the lawn border.	<ol style="list-style-type: none"> 1. If Landroid Vision is actually outside of its working area: turn power off, take Landroid Vision inside the working area, turn the power on and press start. 2. If Landroid Vision is inside its working area check if the LED on the charging pile is solid green.
WRONG PIN! Please retry.	PIN code is wrong.	Input the correct PIN or re-set your PIN.
Blade motor fault! Press START to reset.	Blade disc is blocked by an object, e.g. a branch.	Turn power off. Turn Landroid Vision upside down and check if there's anything preventing the blade disc from rotating and remove any obstruction. Turn Landroid Vision upright. Turn power on. Press start.
	Blade is over-loaded by thick dense grass.	Turn power off. Take Landroid Vision to an area with short grass or adjust the cutting height to a higher setting. Turn power on. Press start.
Wheels motor fault! Press START to reset.	Wheel motor is blocked in some way.	Turn power off and take Landroid Vision to an area free from obstacles. Turn power on. Press start. If the error message is still displayed, turn power off. Turn Landroid Vision upside-down and check if there's anything preventing the wheels from rotating. Remove any obstruction, turn Landroid Vision upright, turn power on.
Upside down! Press START to reset.	This could have happened when Landroid Vision came into contact with a sloping surface which made it overturn.	Turn Landroid Vision upright and remove any obstacle that might have caused Landroid Vision to overturn.
Mower trapped! Press START to reset.	Landroid Vision is trapped.	Turn power off. Take Landroid Vision to an area of your lawn free of obstacles, then turn power on. Press start. If the error message is still displayed: turn power off, turn Landroid Vision upside-down. Check if there is anything preventing the wheels from rotating. Remove any obstruction, turn the Landroid Vision upright, turn power on.
Mower lifted! Press START to reset.	Landroid Vision has been lifted up.	Turn power off. Take Landroid Vision to an area clear of obstacles, turn power on. Press start. If the error message is still displayed: turn power off, turn Landroid Vision upside-down and check there's anything that can cause Landroid Vision to be lifted up. Remove any possible object, turn Landroid Vision upright, turn power on.

MESSAGE	CAUSE	ACTION
Battery voltage too low! Please change battery.	Battery exhausted, and needs to be recharged.	In this case you must turn Landroid Vision off and place it in the charging base, then 'Emergency charging' will be displayed and it will start charging. If the battery error still persist, your battery is damaged and need to be changed.
Battery temperature out of range! Please wait.	Temperature is too high (more than 45 °C) or too low (less than 4 °C) when charging.	Place the charging base in a shady area or wait until it reaches the normal temperature.
Can't find charging base! Press START to reset.	Machine doesn't have enough power to go back to charging base.	Take Landroid Vision to the charging base.
Mower locked!	With the "Lock Function" enabled, if your Landroid Vision does not receive a signal from your Wi-Fi router for 3 days, then it gets locked as a security measure. This could be because your router lost its power or because you changed your Wi-Fi router or network provider.	Please reconnect Landroid Vision to the Wi-Fi network it has been originally paired with. If this is not possible, contact Customer Service.
RFID reader error!	RFID is not installed correctly.	Check if RFID is correctly installed.
Camera blocked!	Camera covered by dirty things.	Clean the camera.

NOTES


- Before turning power on, always check Landroid Vision is inside its working area. If not, the message "Outside working area! Press START to reset" will be displayed. This message is also displayed when Landroid Vision is partly but not completely inside its working area.
- If for any reason—i.e. a party, children playing...—you want to park your Landroid Vision in the charging base: press  then . Landroid Vision will go to its base and stay there. Please note Landroid Vision will now wait until the next scheduled mowing session. If you want to re-start it at anytime, press  then  to start your Landroid Vision.
- If an error repeatedly occurs in the same area of your lawn, you might have a problem with the working area so please refer to the installation instructions and check your set up is correct with its help.
- If your lawn is divided in two separated areas, connected by a corridor less than 1m wide, one of which is not provided with the charging base: when Landroid Vision runs out of charge, take it manually to the charging base.
- If Landroid Vision runs abnormally once in a while, please reset it by turning it off and removing the battery for 30 seconds, then restart it. If the problem cannot be solved, please contact our Customer Service for help.

TROUBLE SHOOTING


If your Landroid Vision does not work correctly, follow the trouble shooting guide below. If the fault persists, contact Customer Service.

SYMPTOM	CAUSE	SOLUTION
The LED light on the charging pile does not turn on.	There is no power.	Check the charging base is connected properly to the charger and the charger is connected to a suitable power supply.
Landroid Vision turns on, but the blade disc does not spin.	Landroid Vision is searching for the charging base.	This is normal: when Landroid Vision needs to recharge, the blade disc does not rotate while it is searching for the charging base automatically.
Landroid Vision vibrates.	The blade disc is unbalanced. Blades may be damaged.	Check the blades and replace them if damaged. Remove debris and foreign objects from the blades and blade disc.
Grass is being cut unevenly.	Landroid Vision does not work enough hours per day to cut the grass.	Try adding more hours to the mowing schedule.
	Mowing area is too big for the size of Landroid Vision you have.	Try decreasing the size of the mowing area or increasing working time.
	The blades are dull and not sharp.	Change all the blades and screws in order to balance the blade disc.
	The cutting height is set too low for the length of the grass.	Raise the cutting height and then gradually lower.
	Grass or another object has wrapped around the blade disc.	Check the blade disc and remove any grass or other objects that might prevent it spinning.
	There is a build-up of grass in the blade disc or motor frame box.	Make sure the blade disc rotates easily. If need be, you may take off the blade disc and then remove the debris.
	Recognition error	Remove the obstacles, such as piles of leaves, weeds and wildflowers.
The secondary area is not mowed.	Programming error	Make sure the RFIDs are installed correctly and reprogrammed.
	There are obstacles between the RFIDs in the pathway.	Remove the obstacles.
	The boundary of the passage within 1.5 m range of the boundary wire for the RFID is curved.	Ensure that there is no boundary curved within 1.5 m range of the boundary wire for the RFID.
The charging time is far more than the rated charging time.	Poor connection caused by debris on the charging strip.	Clean the contact pins located on the charging pile and the charging strip on Landroid Vision using a cloth.
	The charging protection program is activated due to high temperature.	Place the charging base in a shady area or wait until the temperature has cooled down.
The mower does not charge.	There is no power.	Check the power cord is connected properly to the charger and the charger is connected to a suitable power supply. Make sure both the charging strips on the mower touch the center of the charging contacts on the charging pile.

SYMPTOM	CAUSE	SOLUTION
Landroid Vision is starting to have shorter run-times between charges.	Something is clogging in the blade disc creating friction and increasing power consumption.	Take off the blade disc and clean it. Maybe the grass is too high and too thick.
	Landroid Vision is shaking heavily because the blade disc is unbalanced.	Check the blade disc and blades, remove debris and foreign objects from the blades and blade disc. Replace the blades with a new set.
	The battery may be exhausted or old.	Replace battery.
	The working time is up.	Reset the working time.
Landroid Vision is not operating at the correct time.	The clock is not set to the correct time.	Set the clock to the correct time.
	Programmed cutting times for Landroid Vision are not correct.	Change the time settings for the mower to start and stop.
	The percentage of weekly operating time set through App has changed.	Set the correct percentage through App.
Landroid Vision can not find the charging base.	The direction of the charging base is incorrect.	Make sure Landroid Vision dock right towards the charging base and departures in anti-clockwise direction.
	There are obstacles in front of the charging base.	Please remove the obstacles within the 2 m in front of the charging base.
	The QR code is sheltered.	Make sure the QR code is clear and that there is nothing directly on it or above it.
Landroid Vision cannot correctly dock with the charging pile.	Environmental influences.	Restart Landroid Vision.
	Poor connection caused by debris on the charging strip.	Clean the contact pins located on the charging pile and the charging strip on Landroid Vision using a cloth.
The green light on the charging pile turns on before charging is complete.	The charging base is overheating or overcooling.	Place the charging base in a shady area or wait until it reaches the normal temperature.
Landroid Vision wheels skid or repeatedly slip.	Obstacles, such as twigs and branches may be lodged under Landroid Vision.	Remove objects from underside of Landroid Vision.
	The lawn is too wet.	Exclude the wet or soft ground areas by using the magnetic strip or by creating a non-grass pathway that is more than 5 cm wide until the lawn is dry again.
Landroid Vision slips out of its working area.	Low grip of Landroid Vision drive wheels.	Please check the wheels are clean and free of mud in order to have the maximum grip possible.
	The slope is steeper than 30 % (17°).	Exclude the sloped area by using the magnetic strip or by creating a non-grass pathway that is more than 5 cm wide directly beside the slope.
	Recognition error.	Remove the obstacle if there is one. Using the magnetic strip or by creating a non-grass pathway that is more than 5 cm wide on the lawn edge ensure that the mower functions correctly.
	There is grass whose height is higher than 15 cm.	Trim the grass to below 15 cm. Lay magnetic strips or set up a 5 cm non-grass pathway if there are steps, cliffs or a pond below the grass.

SYMPTOM	CAUSE	SOLUTION
Landroid Vision frequently collides.	The grass is taller than 15 cm.	Trim the grass to below 15 cm.
	There is grass around suspended objects such as a hanging fence or a slide.	Lay magnetic strips or set up a 5 cm non-grass pathway around the area.
Landroid Vision operative system crashes when charging or on standby.	Software or display fault.	Restart Landroid Vision.
Landroid Vision shuts off when docking in the charging pile.	Landroid Vision fails to charge due to over temperature protection and is powered off.	Place the charging base in a shady area or wait until the temperature has cooled down.
	Poor connection.	Check the LED light on the charging pile. Check the connection between the contact pins located on the charging pile and the charging strip.
Landroid Vision stops in the working area.	There are continuous obstacles in the working area.	Lay magnetic strip or by creating a non-grass pathway that is more than 5 cm wide around the obstacles.
	The cutting height is set too low for the length of the grass or the grass is too dense.	Raise the cutting height and then gradually lower.
Landroid Vision flips over.	There is an inclined obstacle on the lawn.	Exclude the obstacle from Landroid Vision's working area.
Landroid Vision fails to connect to the internet.	Please check your router has the correct settings.	Make sure your router is 2.4GHz or 5GHz. If your router has two settings, please enable the 2.4GHz or 5GHz band. Make sure your router is set to 802.11 mode and wireless setting is b/g/n mixed. Make sure your router has the SSID Broadcast function enabled when you connect the machine with the App. You can close it after you connect successfully. Make sure DHCP function is enabled. If you changed your Wi-Fi network, you need to connect Landroid Vision to the new network. If you have a "Fritz! box" router, please make sure activate "Allow communication between devices in same network" in the settings.
		Please check whether the router is disconnected or Wi-Fi SSID is changed.
The software upgrade fails.	The Wi-Fi signal is weak.	Move closer to the router to strengthen the signal.
	The battery level is less than 50%.	Place Landroid Vision on the charging base or ensure that the battery level is above 50%.
Your Landroid Vision beeps when you are adjusting "month / hour / minute".	It is normal.	Counter clockwise the  to adjust.

Environmental protection

 Waste electrical products should not be disposed of with household waste. Please recycle where facilities exist. Check with your Local Authority or retailer for recycling advice.

Remove the used battery pack from the appliance and dispose of it at the most convenient recycling facility. If in doubt, consult your local environmental protection department.


TECHNICAL DATA

Type **WR206E WR208E WR213E WR216E (200-299 - designation of machinery, representative of Robotic lawn mower with Vision technology)**

	WR206E	WR208E	WR213E	WR216E
No load speed (/min)	2800 /min	2600 /min	2200 /min	
Cutting area (m ²)	600 m ²	800 m ²	1300 m ²	1600 m ²
Cutting diameter (cm)	18 cm	19 cm	22 cm	
Cutting height (mm)	30-60 mm			
Cutting system	3 pivoting razor blades			
Cutting height positions	4		7	
Slope (%)	30%			
Battery type	Lithium-ion			
Battery Capacity (Ah)	2 Ah	4 Ah		
Battery model	WA3551.1	WA3014		
Charging time approx. (mins.)	80 mins.	75 mins.		40 mins.
Charger model	WA3750.1/ WA3755.1	WA3775/WA3776		WA3796/WA3798
Charger rating	Input: 100-240 V~50/60 Hz, 38 W, Output: 20V , 1.5 A	Input:100-240 V~50/60 Hz, 90 W, Output: 20 V , 3.0 A		Input:100-240 V~50/60 Hz, 190W, Output: 20 V , 5.0 A
Machinery weight (kg)	14.4 kg	14.6 kg	15.1 kg	
Protection degree	III			
App (Wi-Fi/Bluetooth)	Y			
Frequency bands for NFC (MHz)	13.56 MHz			
Maximum Transmitted Power for NFC (dBuA/m)	83 dBuA/m			
Frequency bands for Bluetooth (MHz)	2400-2483.5 MHz			
Maximum Transmitted Power for Bluetooth (dBm)	8 dBm			
Frequency bands for Wi-Fi (MHz)	2400-2483.5 MHz, 5150-5350 MHz, 5470-5725 MHz			
Maximum Transmitted Power for Wi-Fi (dBm)	20 dBm			
Frequency bands for Wi-Fi (MHz)	5725 ~5850 MHz			
Maximum Transmitted Power for Wi-Fi (dBm)	14 dBm			
Waterproof level	IPX 5			

*Voltage measured at no load. Initial battery voltage reaches maximum of 20 volts. Nominal voltage is 18 volts.

NOISE DATA

	WR206E	WR208E	WR213E WR216E
A weighted sound pressure	$L_{pA} = 46.45 \text{ dB(A)}$	$L_{pA} = 46.46 \text{ dB(A)}$	$L_{pA} = 46.73 \text{ dB(A)}$
	$K_{pA} = 1.58 \text{ dB(A)}$	$K_{pA} = 1.11 \text{ dB(A)}$	$K_{pA} = 1.68 \text{ dB(A)}$
A weighted sound power	$L_{wA} = 57.45 \text{ dB(A)}$	$L_{wA} = 57.46 \text{ dB(A)}$	$L_{wA} = 57.73 \text{ dB(A)}$
	$K_{wA} = 1.58 \text{ dB(A)}$	$K_{wA} = 1.11 \text{ dB(A)}$	$K_{wA} = 1.68 \text{ dB(A)}$
Wear ear protection when sound pressure is over 80 dB (A).			

A degree of noise from the machine is not avoidable. Route noisy work is to be licensed and limits for certain periods. Keep rest periods and they may need to restrict the working hours to a minimum. For their personal protection and protection of people working nearby, an appropriate hearing protection shall be worn.

ACCESSORIES

	WR206E	WR208E	WR213E	WR216E
Screw	14	14	14	14
Charging tower	1	1	1	1
Charging base plate	1	1	1	1
Magnetic strip pegs	16	16	16	16
Hex key	1	1	1	1
Blade (WA0190)	9	9	9	9
RFID	2	2	2	2
Magnetic strip (5m)	2	2	2	2
Measurement gauge	1	1	1	1
Battery pack (WA3551.1)	1	/	/	/
Battery pack (WA3014)	/	1	1	1
Charger (WA3750.1/WA3755.1)	1	/	/	/
Charger (WA3775/WA3776)	/	1	1	/
Charger (WA3796/WA3798)	/	/	/	1

We recommend that you purchase genuine accessories listed in the above list from the same store that sold you the tool. Refer to the accessory packaging for further details. Store personnel can assist you and offer advice.

INTENDED USE

The garden product is intended for domestic lawn mowing. It is designed to mow often, maintaining a healthier and better looking lawn than ever before. Depending on the size of your lawn, your Landroid Vision may be programmed to operate at any time or frequency. It is impossible for digging, sweeping or snow cleaning.

DECLARATION OF CONFORMITY

We,
Positec Germany GmbH
Postfach 680194, 50704 Cologne, Germany

On behalf of Positec declare that the product

Description **Robotic Lawnmower**

Type **WR206E WR208E WR213E WR216E (200-299 - designation of machinery, representative of Robotic lawn mower with Vision technology) (Serial number is placed on the back page) with battery charger WA3750.1 / WA3755.1 / WA3775 / WA3776 / WA3796 / WA3798 and charging base WA0515**

Function **Cutting grass**

Complies with the following Directives,

2006/42/EC, 2014/30/EU, 2014/35/EU, 2011/65/EU&(EU)2015/863, 2000/14/EC amended by 2005/88/EC, 2014/53/EU

2000/14/EC amended by 2005/88/EC	WR206E	WR208E	WR213E WR216E
- Conformity Assessment Procedure as per	Annex V	Annex V	Annex V
- Measured Sound Power Level	57.45 dB (A)	57.46 dB (A)	57.73 dB (A)
- Declared Guaranteed Sound Power Level	59 dB (A)	59 dB (A)	59 dB (A)

Standards conform to,

For Lawn mower: EN 50636-2-107:2015+A1:2018+A2:2020+A3:2021, EN 60335-1:2012+A11:2014+A13:2017+A1:2019+A2:2019+A14:2019+A15:2021, EN IEC 62311:2020, EN IEC 55014-1:2021, EN IEC 55014-2:2021, EN IEC 61000-3-2:2019+A1:2021, EN 61000-3-3:2013+A1:2019+A2:2021

For Bluetooth & Wi-Fi module (2.4G): EN 301 489-1 V2.2.3, EN 301 489-17 V3.2.4, EN 300 328 V2.2.2

For Wi-Fi module (5G): EN 301 489-1 V2.2.3, EN 301 489-17 V3.2.4, EN 301 893 V2.1.1, EN 300 440 V2.2.1

For charger: EN IEC 55014-1:2021, EN IEC 55014-2:2021, EN IEC 61000-3-2:2019+A1:2021, EN 61000-3-3:2013+A1:2019+A2:2021, EN IEC 60335-2-29:2021+A1:2021, EN 60335-1:2012+A11:2014+A13:2017+A1:2019+A2:2019+A14:2019+A15:2021, EN 62233:2008

For RFID: EN 300 330 V2.1.1, EN 301 489-3 V2.3.2

For Noise: EN ISO 3744:1995

For RoHS: EN IEC 63000:2018

The person authorized to compile the technical file,

Name Marcel Filz
Address Positec Germany GmbH Postfach 680194, 50704 Cologne, Germany

2024/03/07
Allen Ding
Deputy Chief Engineer, Testing & Certification
Positec Technology (China) Co., Ltd
18, Dongwang Road, Suzhou Industrial
Park, Jiangsu 215123, P. R. China